

REMER

RUBINETTERIE

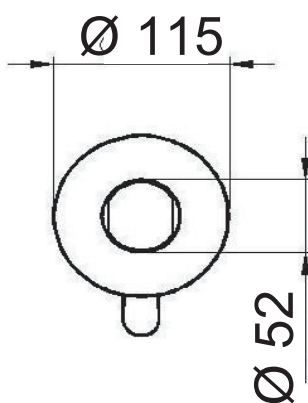
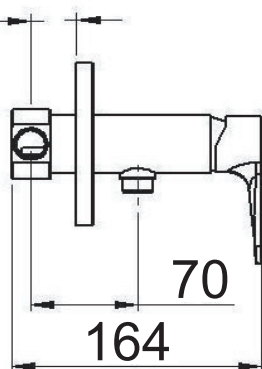
SCHEDA TECNICA

TECHNICAL FEATURES

ART. COD.

WE65LT6

15/45

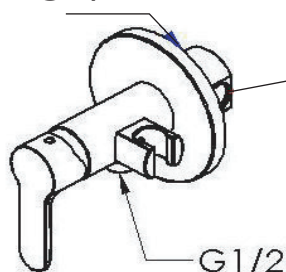


ACQUA CALDA
HOT WATER

G1/2

ACQUA FREDDA
COLD WATER

G1/2



MATERIALI / MATERIALS

OTTONE CROMATO / CHROME PLATED BRASS

CROMATURA / CHROME PLATING

UNI EN 248



6 L / Min.

Via Leonardo da Vinci 83 - 20062 Cassano d'Adda (MI) Italy - Tel. +39-0363 364211

info@remer.eu www.remer.eu