

# SMC

## Polyester ECO

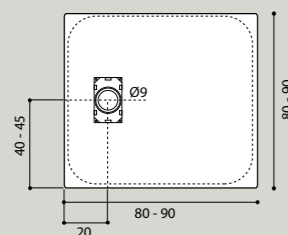
Piatto doccia ECO completo di piletta di scarico.

ECO shower tray with waste trap.

### versioni\_versions

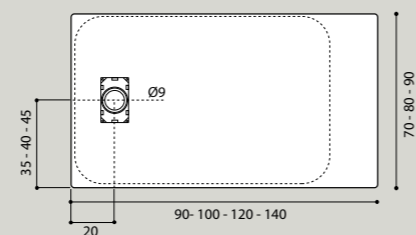
Quadrato  
Square

80x80xh 2,5 cm \_ 10 kg  
90x90x h 2,5 cm \_ 11 kg



Rettangolare  
Rectangular

72x90xh 2,5 cm \_ 10 kg  
70x100xh 2,5 cm \_ 12 kg  
70x120xh 2,5cm \_ 13 kg  
80x100xh 2,5 cm \_ 11 kg  
80x120xh 2,5 cm \_ 13 kg  
80x140xh 2,5 cm \_ 15 kg  
90x120xh 2,5 cm \_ 16 kg  
90x140xh 2,5 cm \_ 17 kg



L'innovazione principale dei piatti doccia della Serie ECO è la sua estrema leggerezza dato dal materiale utilizzato, l'SMC un materiale in poliestere rinforzato con fibre di vetro, un prodotto più resistente del marmo, ma meno fragile e più facile da posizionare, in ogni forma e dimensione.

The main innovation of the ECO Series shower trays is its extreme lightness given by the material used, SMC is a polyester material reinforced with fiberglass, a product more resistant than marble, but less fragile and easier to position, in every shape and size.

#### I VANTAGGI:

- Rende facile il trasporto e la messa in posa;
- Semplifica lo stoccaggio merci;
- Facilita la gestione del magazzino;
- Consente di ottimizzare i costi di spedizione.

#### THE ADVANTAGES:

- It makes transport and installation easy;
- Simplifies goods storage;
- Streamlines warehouse management;
- Helps optimize shipping costs.

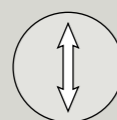
### caratteristiche tecniche\_technical characteristics



pulizia facile  
easy clean



facile al taglio  
easy to cut



2,5 cm

minimo spessore  
minimum thickness



texture antiscivolo  
non-slip texture



resistenza agli urti  
resistant to shock



piacevole al tatto  
pleasant to the touch



estremamente leggero  
extremely light

### colori\_colors



bianco  
white

### dettagli\_details



Grigliato sottostante del piatto doccia in poliestere.

Grid underneath the polyester shower tray.

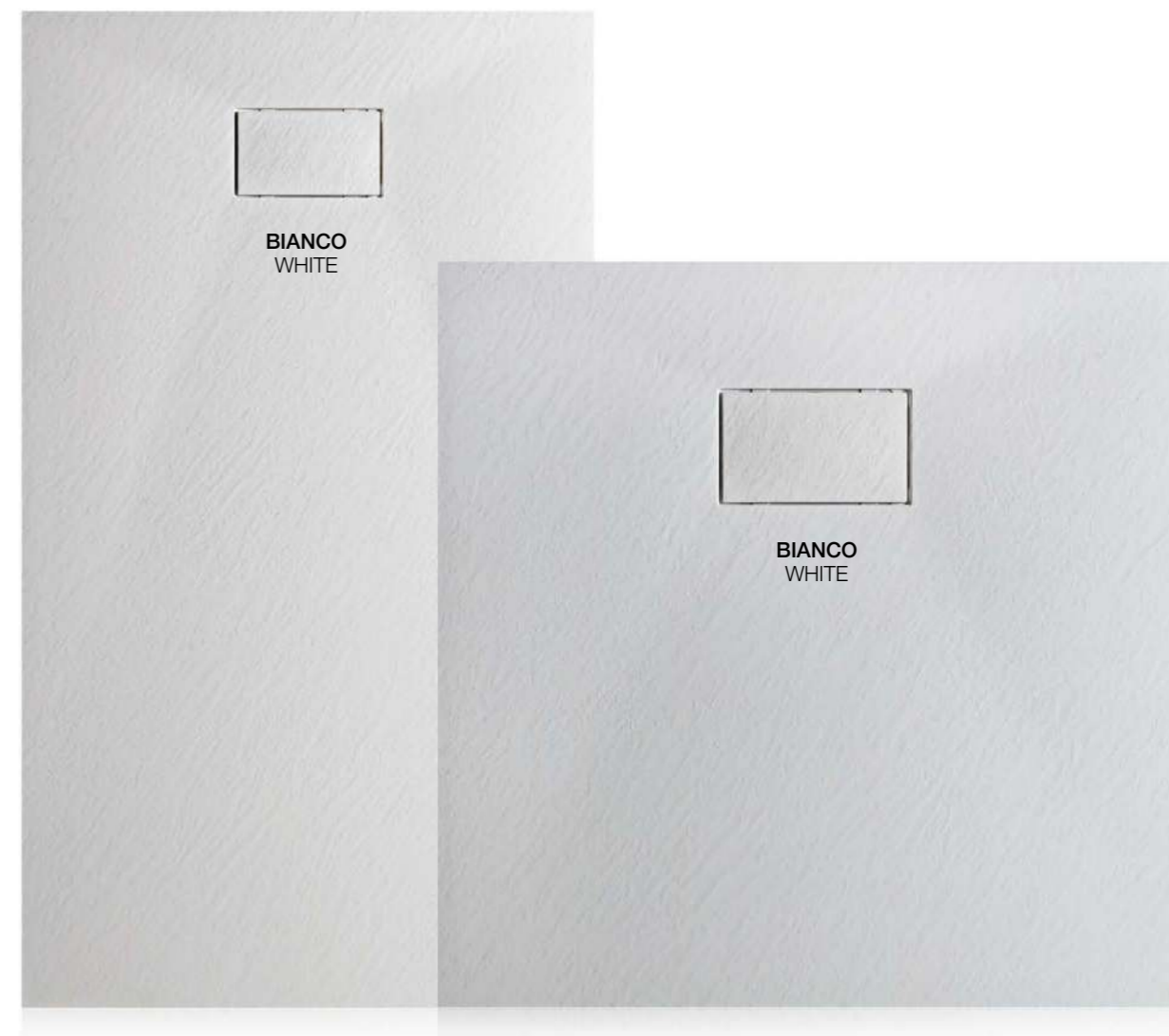
### piletta\_waste

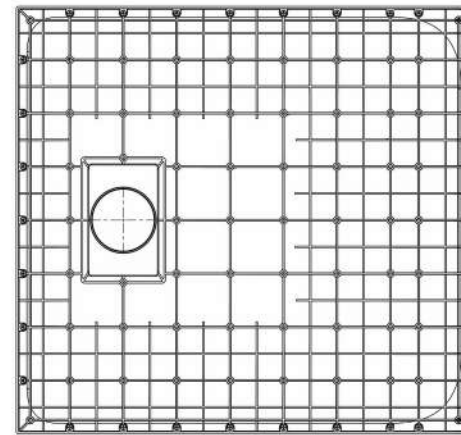
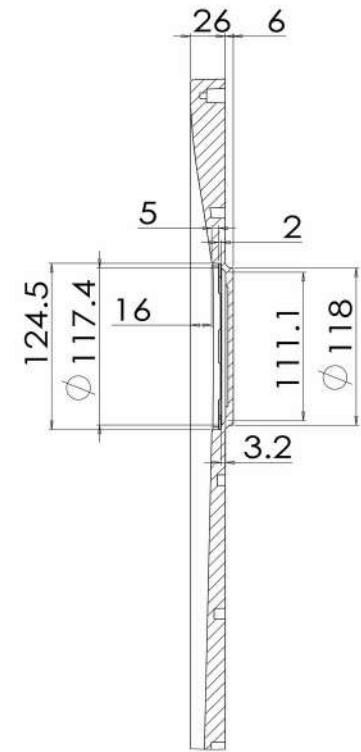
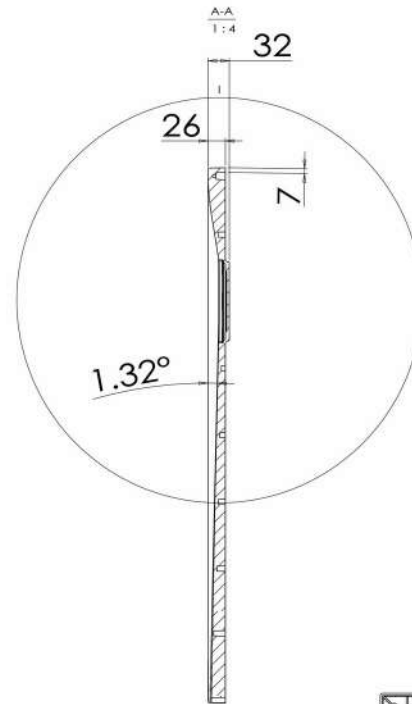
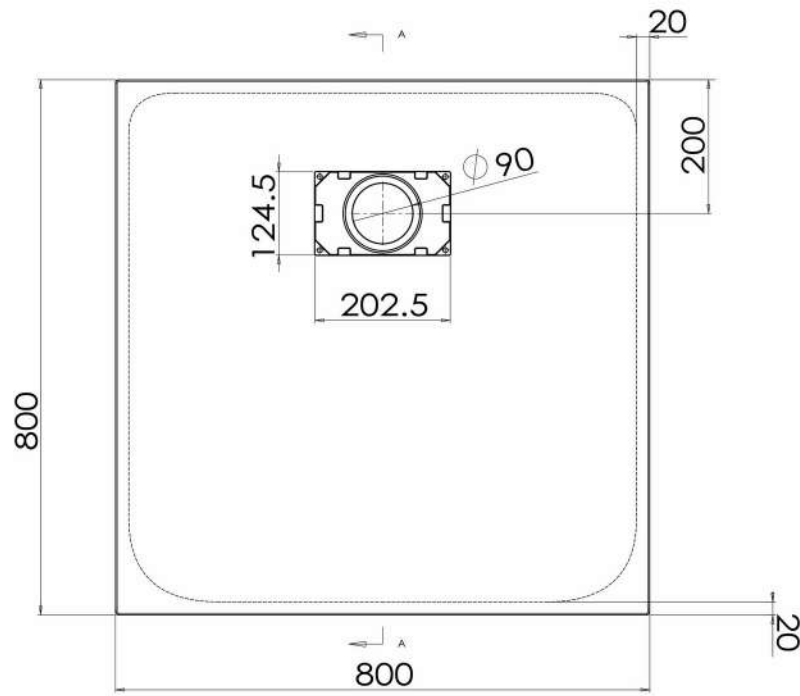


Piletta di scarico per i piatti doccia in SMC Polyester ECO.

Waste trap for SMC Polyester ECO shower trays.

H 8

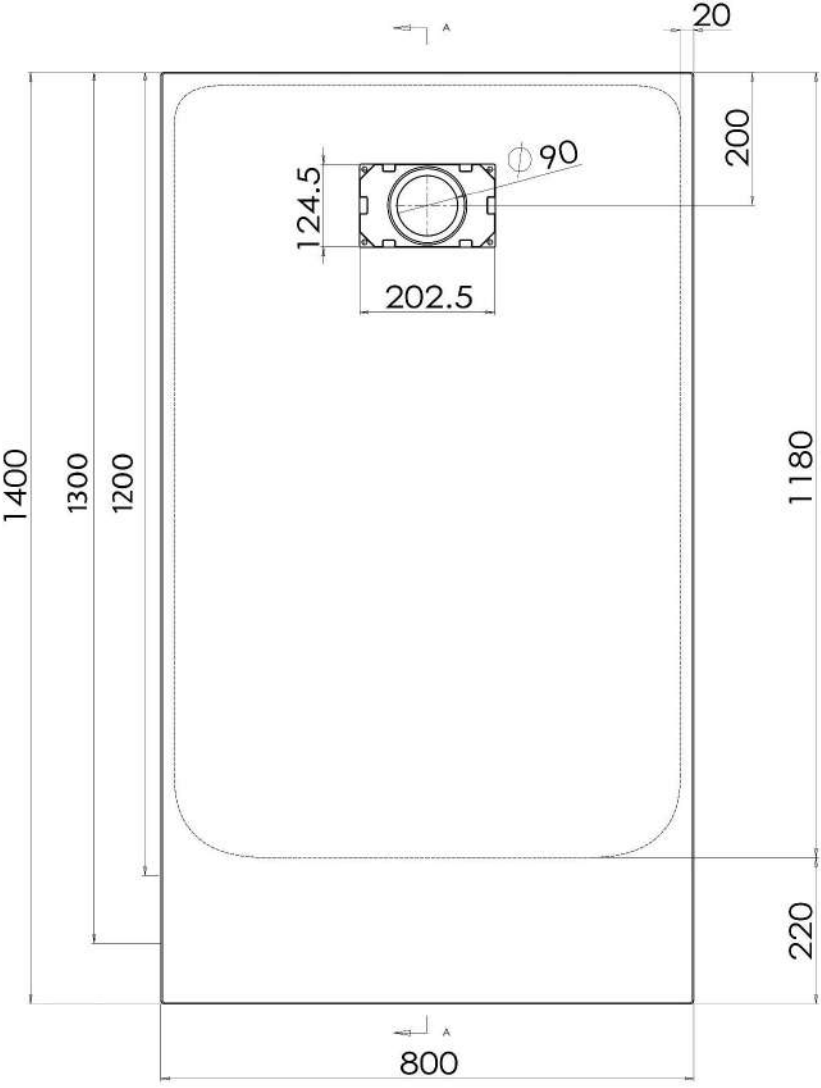




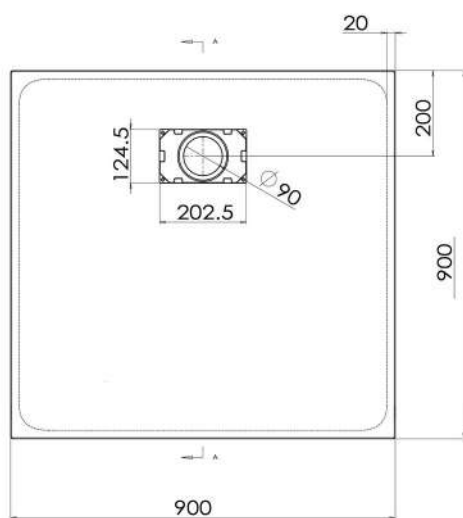
**Modello:** *Piatta doccia ECO*  
**Misura:** *80x80*  
**Codice:** *PDECO8080H25*

**TAMANACO  
&  
COLACRIL**

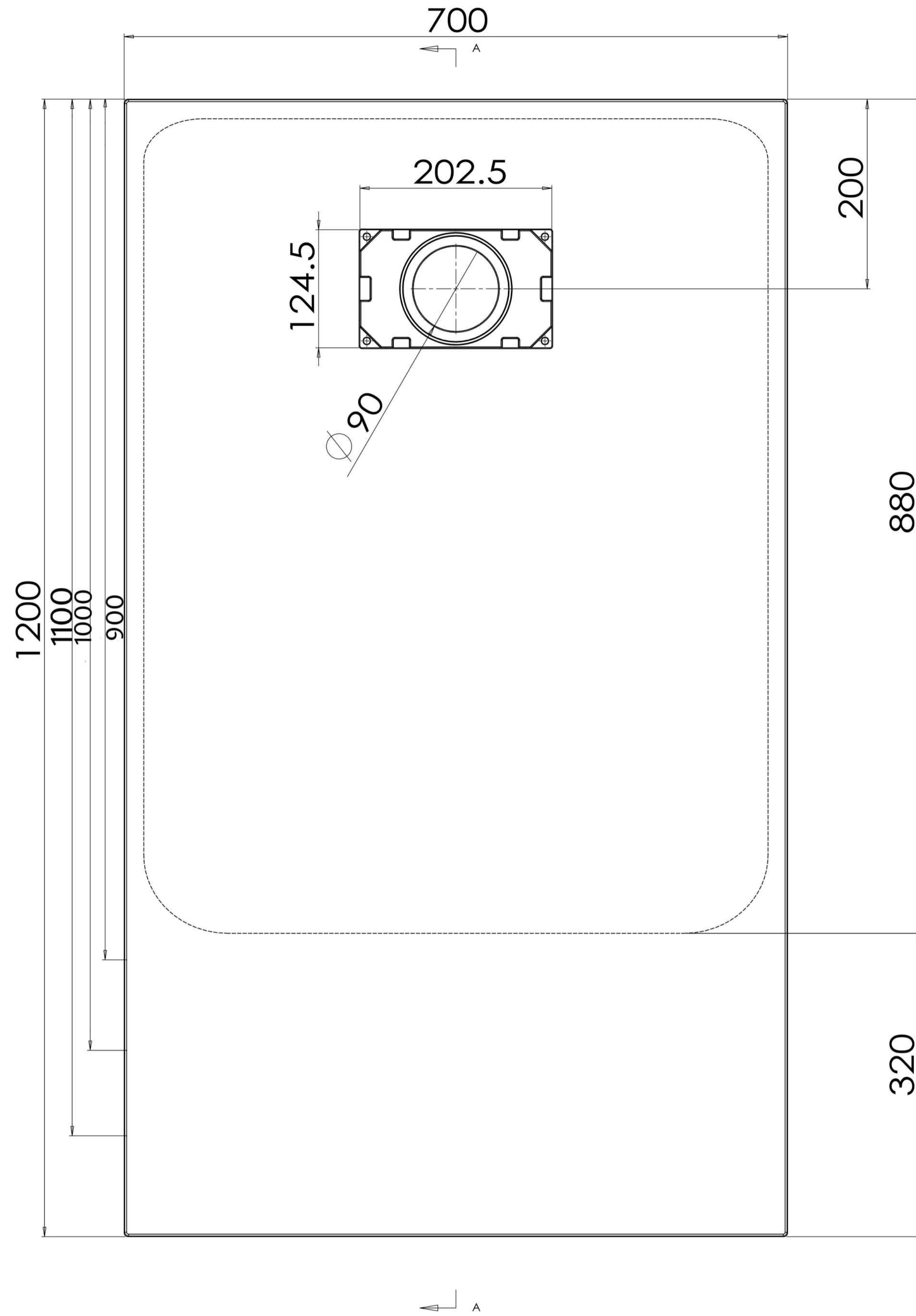
# Tamanaco



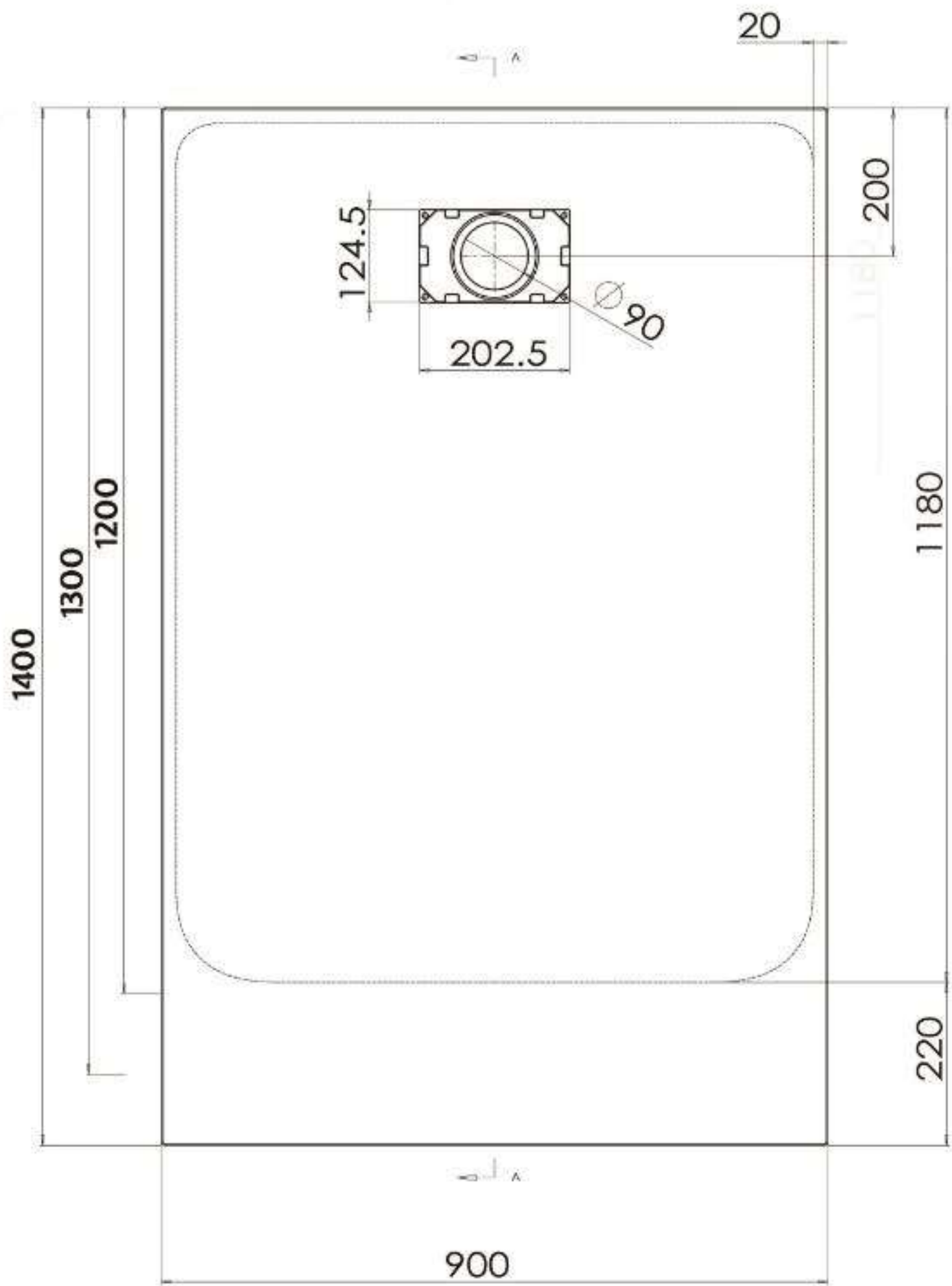
1200/1300/1400x800



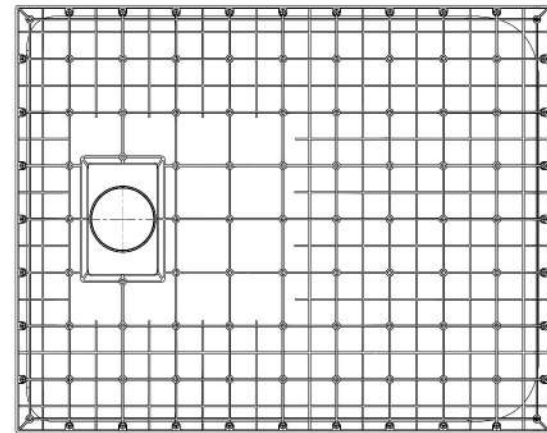
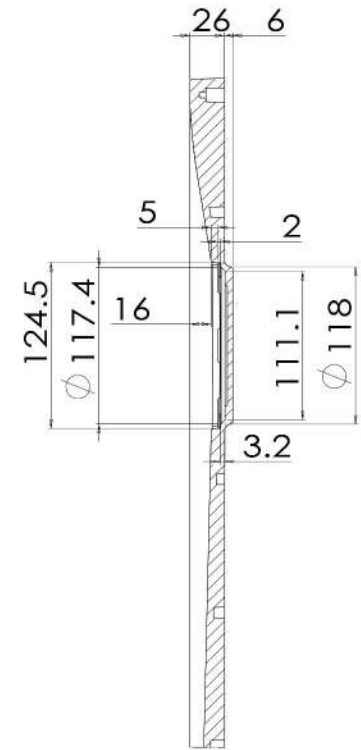
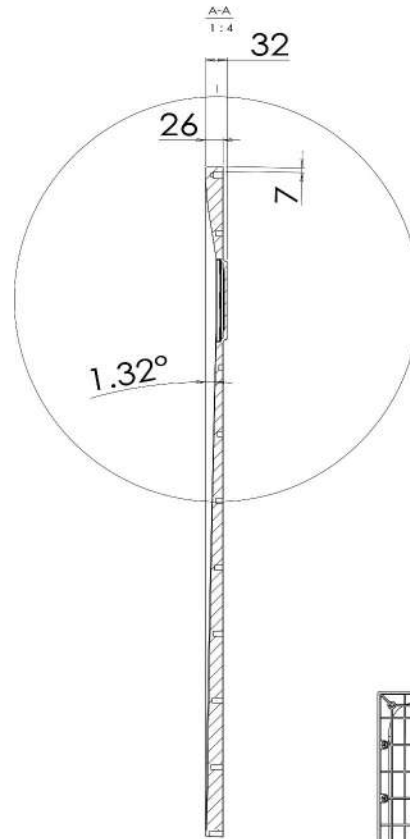
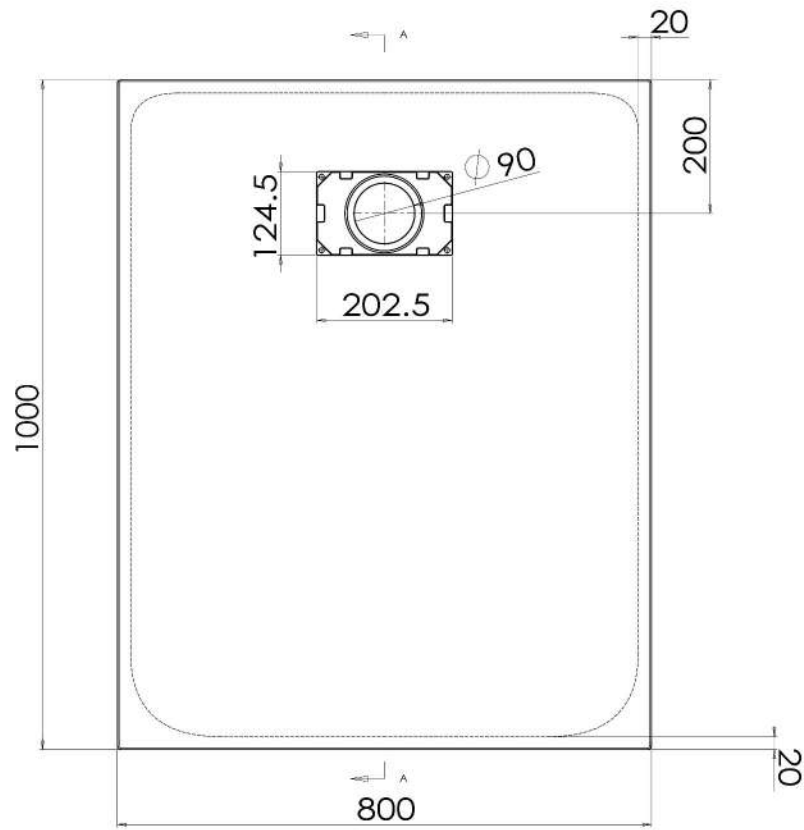
<b>Modello:</b> <i>Piatto doccia ECO</i>	<b>TAMANACO &amp; COLACRIL</b>
<b>Misura:</b> <i>90x 90</i>	
<b>Codice:</b> <i>PDECO9090H25</i>	



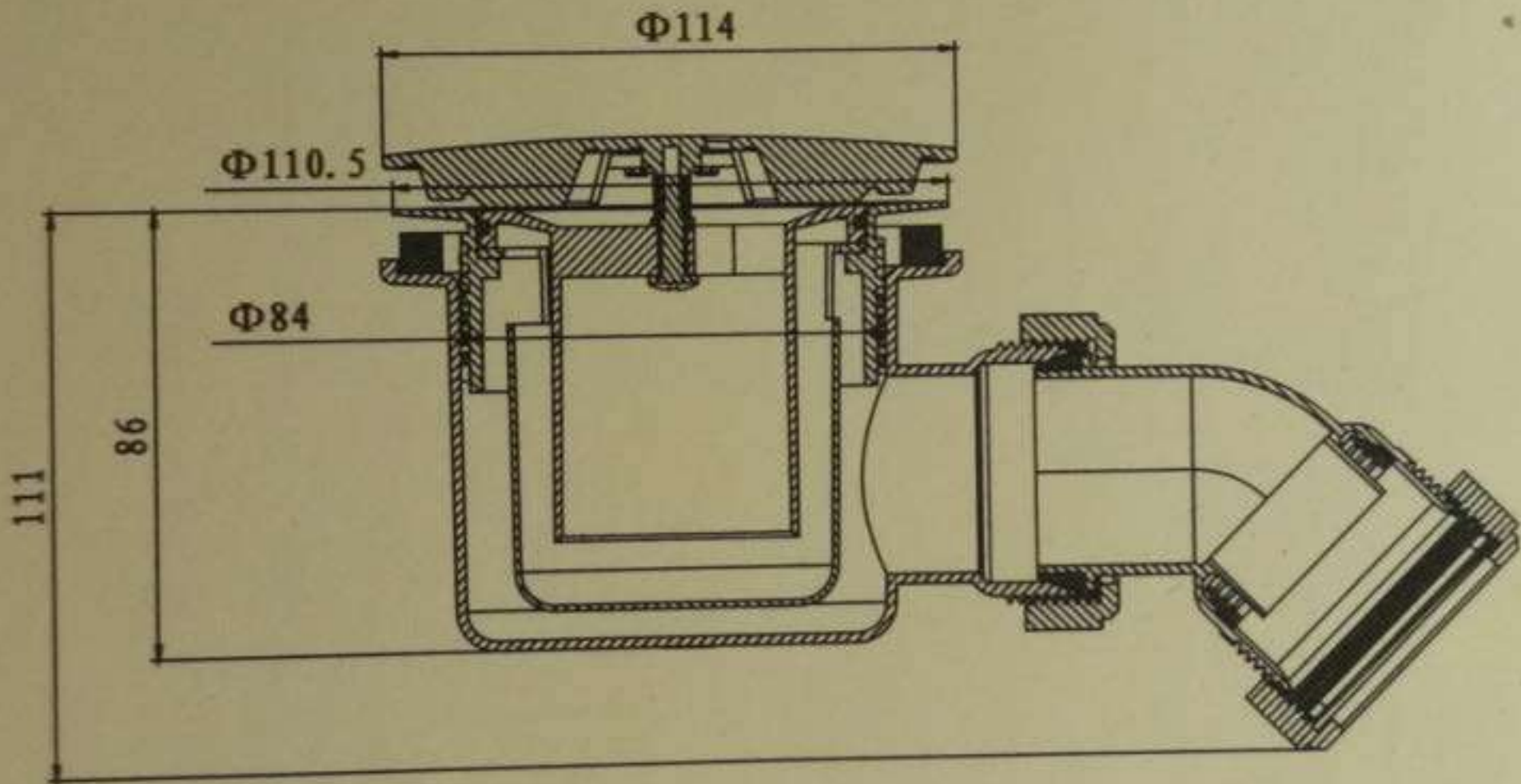
70x90/100/110/120 cm



**1200/1300/1400**



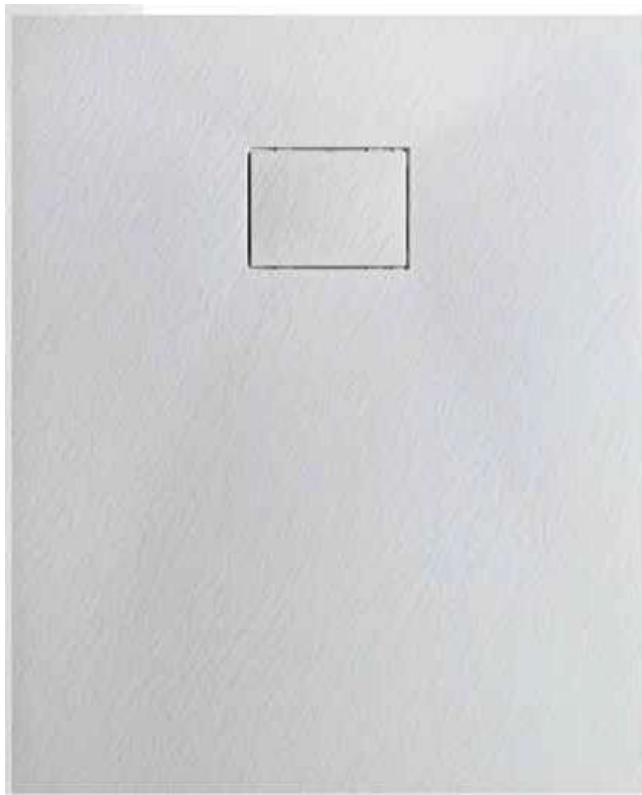
**TAMANACO**



ISTRUZIONE DI MONTAGGIO

# Piatto doccia ECO

da [piatto doccia](#) [eco](#) [eco](#) [eco](#)



#### MAIN CHARACTERISTICS OF THE MATERIALS:

The material is the result of a mixture made by resin, fiberglass and minerals it resists to thermal shock, traction and bending actions as well as to UV rays, making it unalterable in time. The shower tray surface is anti-slip with a slip angle between 15 ° and 18 ° and has a characteristic soft touch particularly comfortable

which will remain being unremovable.

#### GENERAL INFORMATION:

Before installing and using the shower tray we ask you to carefully read these notes and the assembly instructions attached to the product, being sure that:

- The installation is carried out by qualified personnel.
  - The hydraulic system has been built according to the standard local specifications.
  - The shower plate is not damage.

#### • SAFETY WARNINGS:

MeHome products are manufactured in respect of current safety regulations and thus the following warnings should be respected for a correct installation and use of the product:

- We recommend that particular attention is given during the handling of the shower tray during assembly;
- The potential of slipping of most shower trays increases when wet. Special attention should be given when using soap, shampoo, bath cream etc.

#### INSTRUCTIONS FOR CARE AND MAINTENANCE:

MeHome resin shower trays are the result of highly advanced technical manufacturing procedure which gives our products a particularly strength and unalterable long-lasting life. In order to respect these characteristics we do recommend to proceed as in the following instructions for care and maintenance

- For the daily cleaning use only non abrasive products suitable to the bathroom cleaning applying them with a soft cloth.
- Attention not to use cleaning solvent , varnish removers, or metal cleaning products which may damage the surface

#### WARRANTY:

The warranty of 2 years provided by MeHome covers defects caused by the manufacturer and detected in case upon reception of the goods or immediately after the installation after their use.

Defects that did not exist before the delivery of the product, failures caused by negligence or careless use, from unsuitable installation or maintenance, unsuitable storing and/or maintenance carried out by non-qualified personnel are not covered.

#### ENVIRONMENTAL PROTECTION:

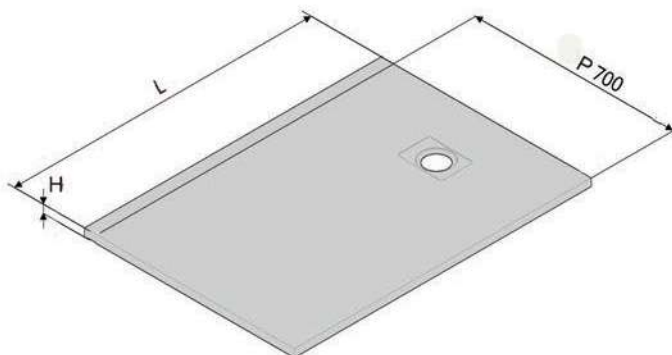
To protect the environment please do not waste irresponsibly shower trays but follow local authority's instruction for their disposal.

LAS MEDIDAS SON EN CENTIMETROS

SIZE:

p: 70 cm

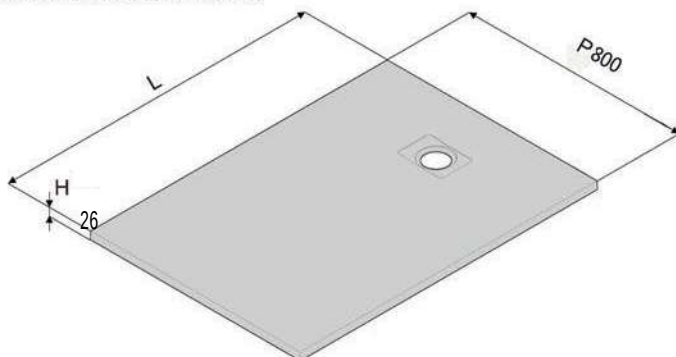
L: 80/90/100/110/120/140/150/160/170



SIZE:

P: 80 cm

L: 80/90/100/110/120/130/140/150/160/170/180

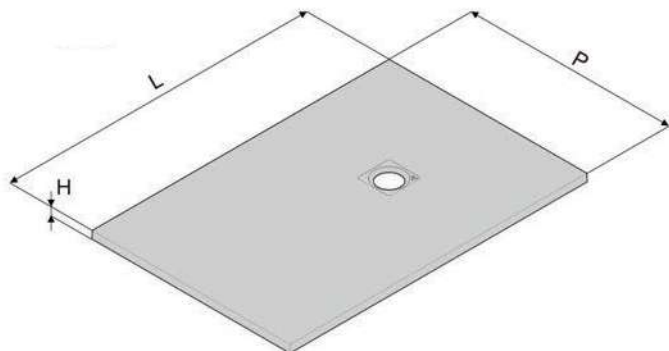


LAS MEDIDAS SON EN CENTIMETROS

SIZE:

P: 90 cm

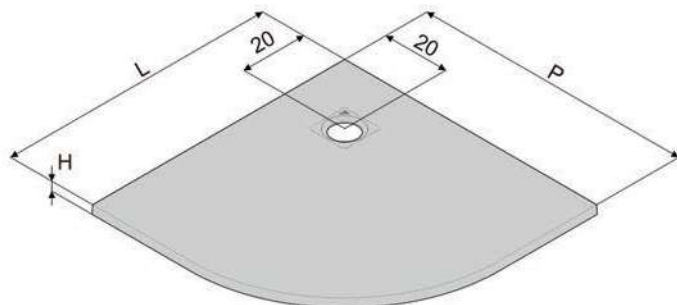
L: 90/100/110/120/130/140/150/160/170/180

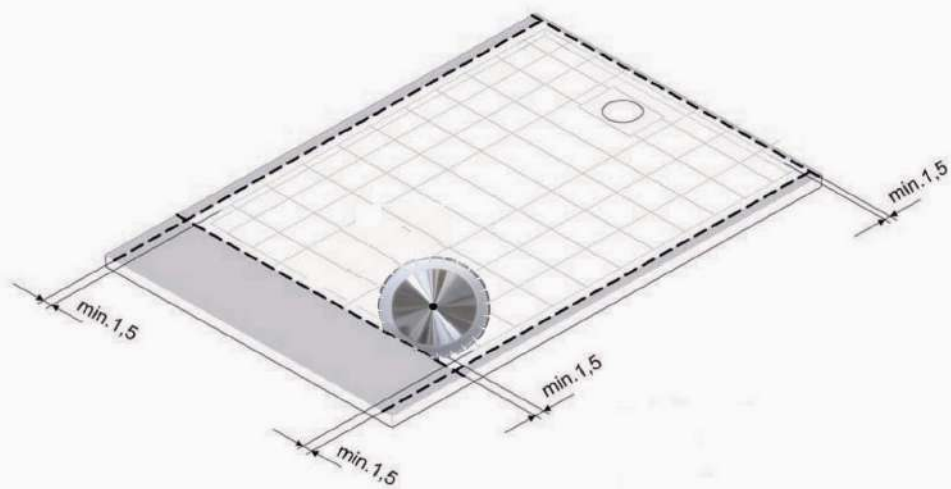


SIZE:

P:90

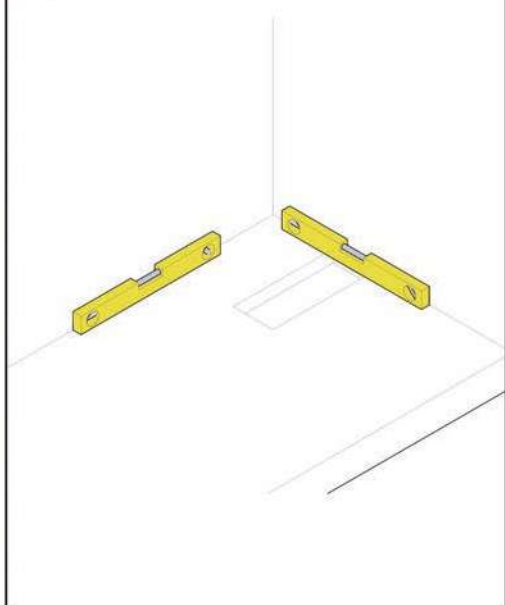
L:90



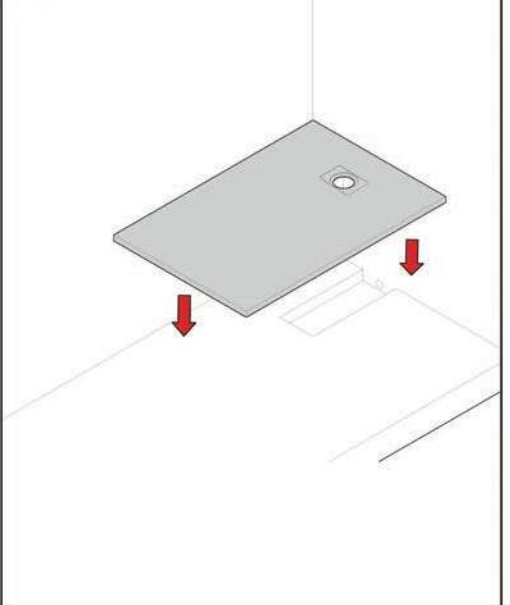


ATENCIÓN: EL PLATO DE DUCHA SE PUEDE CORTAR DURANTE LA PUESTA EN OBRA

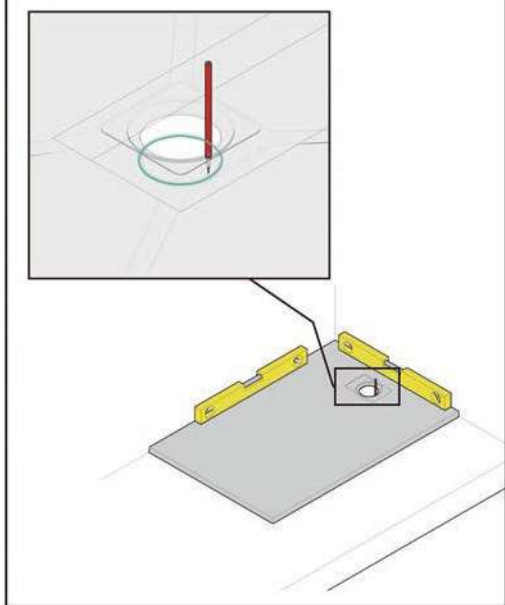
01



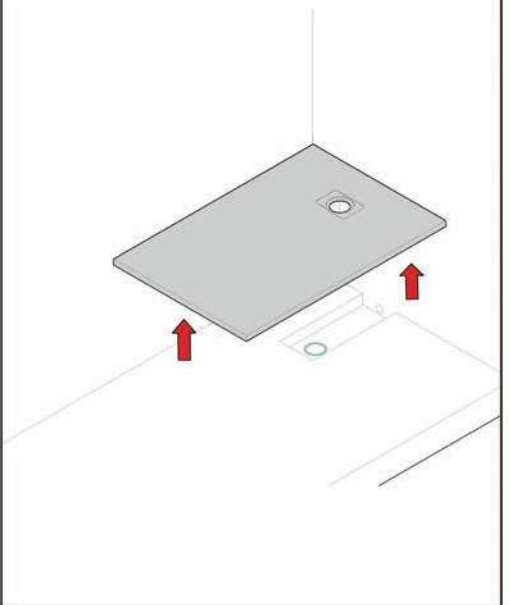
02



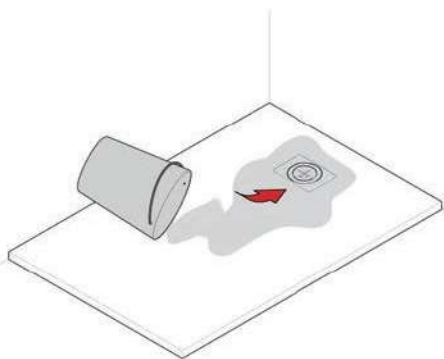
03



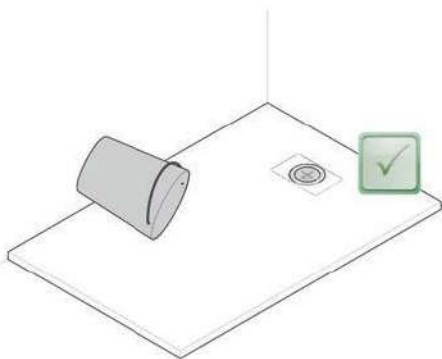
04



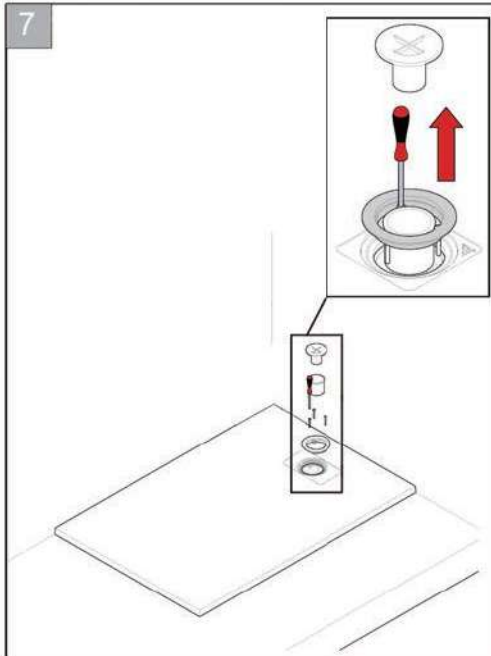
5



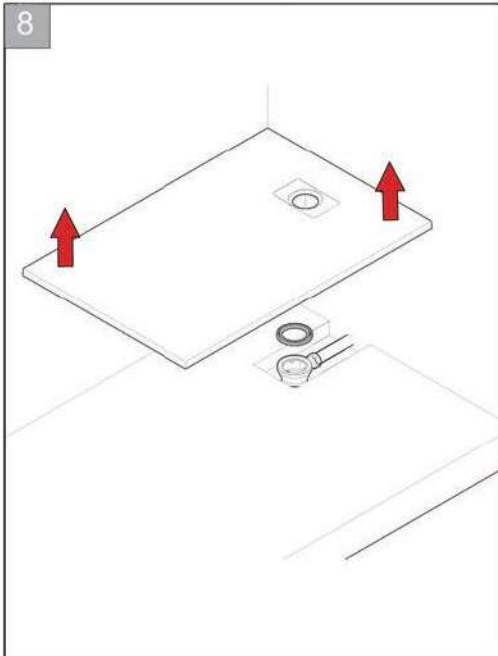
6



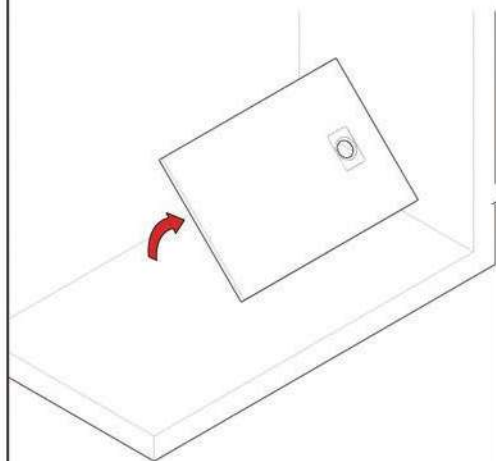
7



8

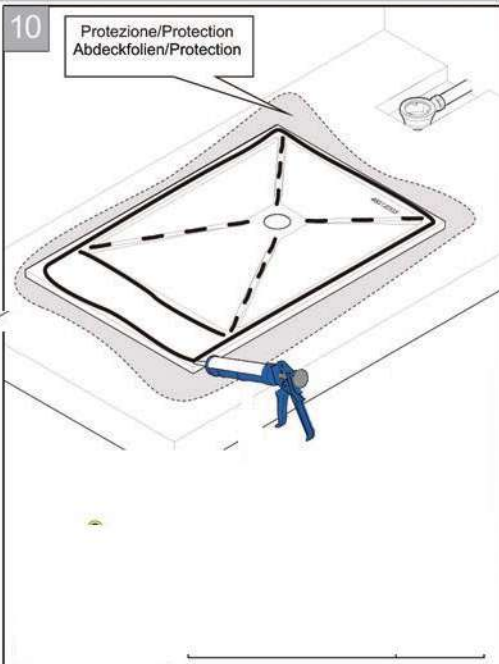


9

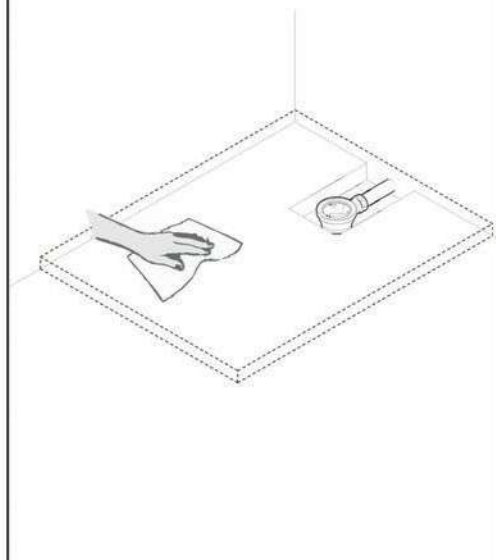


10

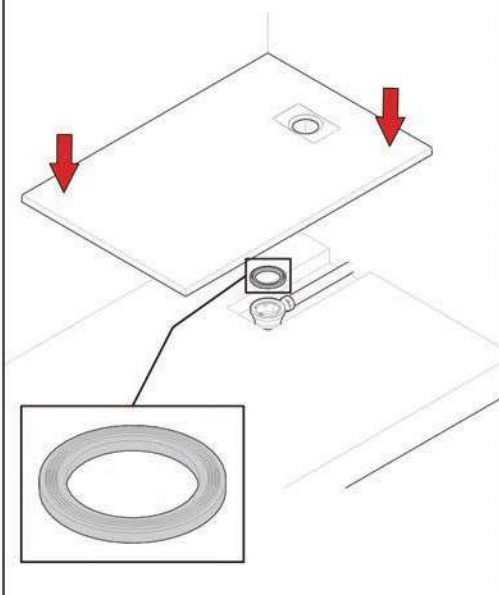
Protezione/Protection  
Abdeckfolien/Protection



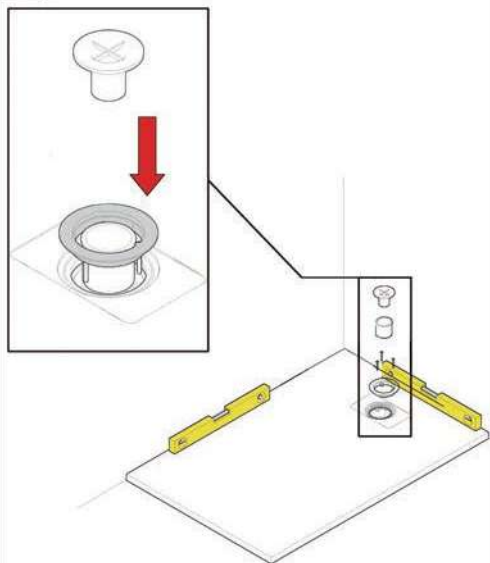
11



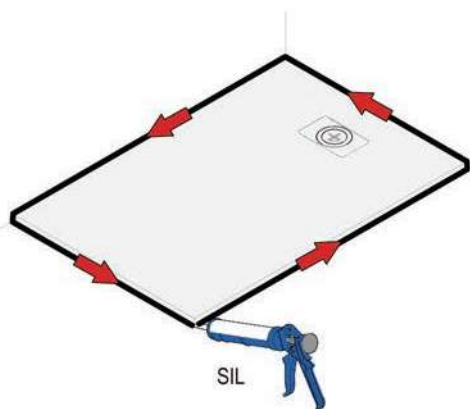
12



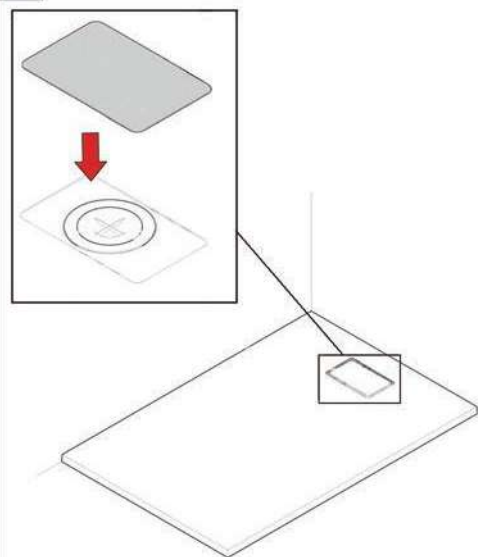
13



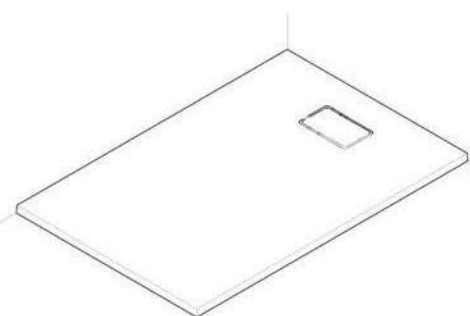
14



15



16



# MAINTENANCE AND CLEANING OF STONE EFFECT SHOWER TRAYS

## WARNING:

Stone effect shower trays cannot be cleaned with any type of common cleaning products as some of these products contain agents that can irreversibly damage the surface.

It is recommended to use a non-abrasive sponge or microfiber with soapy water to clean the tray and then clean the surface with tape water. Never use an abrasive sponge. Ventilate the bathroom thoroughly after cleaning.

The recipient should not be in contact with acetone or with nail varnish removers, hair coloring products, vinegar, or any type of products containing alcohol, acid or solvents. Anti-limescale maintenance products are also prohibited.

## CAUTION:

To get rid of deeper marks on surface, always test the cleaning product you intend to use on a non-visible area before applying it over the entire surface. We recommend to use the removable cover of the drain because in case of damage it can easily be replaced by a stainless steel cover.

## IMPORTANT:

If you need to unclog the drain or drain hose, it is very important to be careful not to pour products containing acid or soda onto the receiver. It is recommended to use a funnel to pour this type of product directly into the drain, while protecting the tray well. These products could irreversibly damage the surface of the tray.