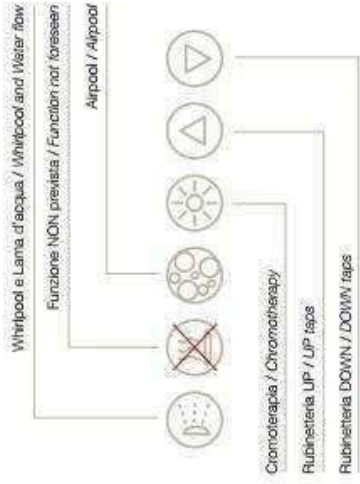


SISTEMI IDROMASSAGGIO HYDROMASSAGE SYSTEMS

VASCHE CON CASCATA / BATHTUBS WITH WATERFALL

SISTEMA TOUCH RETROILLUMINATO BACKLIT TOUCH SYSTEM

Mod. ANGEL
Mod. VITTORIA



SPEINTO / OFF



ACCESSO / ON

IMPORTANT:
Read this manual before proceeding with installation of the bathtub and keep it with the other accompanying documents.
This manual is valid for the installation of tubs both with and without whirlpool.

MODEL ANGEL
SIZE:2000X1200X620mm



GETTI JETS



Getto Whirlpool
Whirlpool Jet



Getto Airpool con Cromoterapia
Airpool Jet with Chromotherapy



Lama d'acqua e bocca di erogazione
Water flow and bath spout

RUBINETTERIA A SCOMPARSA CONCEALED TAPS



Rubinetteria Incassata
Recessed taps

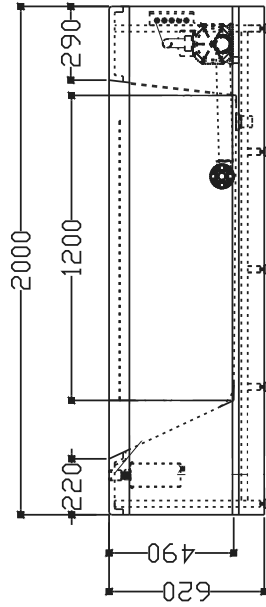


Miscelatore + erogatore, doccia e deviatore
Mixer + dispenser, hand shower and diverter

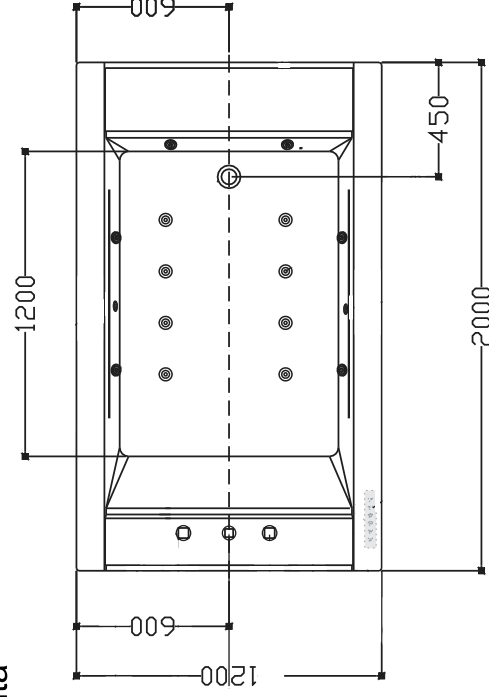


Doccia estraibile
Extractable hand shower

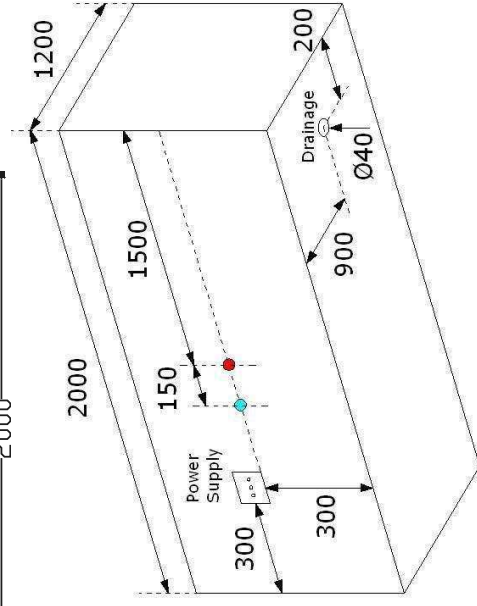
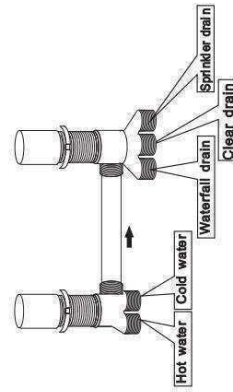
Vista Laterale



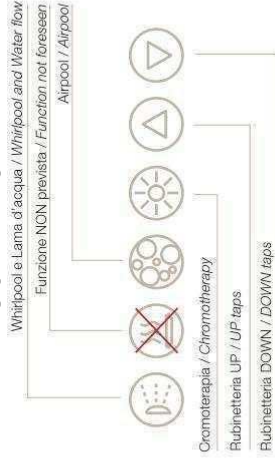
Vista in Pianta



Tap takes over sketch



4.CONTROL PANEL DESCRIPTION



5.Function operational specification:

Surfing function The water level must meets the standard to launch this function .

Press PUMP① ON → PUMP② ON → PUMP① OFF → PUMP② OFF
Such loop is operated .The pump will be turned off automatically every 60 minutes.

Waterfall/needle massage : Press PUMP①, the waterfall function operate. Press PUMP① for the second time, waterfall function stop operating and the needle massage function operate. Press PUMP① for the third time, the needle massage function stop operating.

Hydromassage : Press PUMP② for 2 to 3 seconds, the hydromassage operate. Then Press PUMP② for 2 to 3 seconds , the hydromassage stop operating.

Heating function This function is limited by PUMP①, the heater can be started normally only after PUMP① starting. When turn off the surfing function , the heater will be turned off at the same time .

Press to turn on or off the heater .

Bubble bath Press to turn on or off the air pump .The air pump will be turned off automatically every 60minutes .

Lamp Press to turn on or off the lamp .

LED light around faucets function: The LED light will come on when the control panel light is on, while will go out when the control panel light is off.

Tap Press or to raise or lower the tap .

Drainage function after power off: Ensure that the main power supply is not cut-off. after turning off the control panel, the drainage magnetic valve will automatically startup and shut-off after 30 minutes.

1.Functions(WS-01)

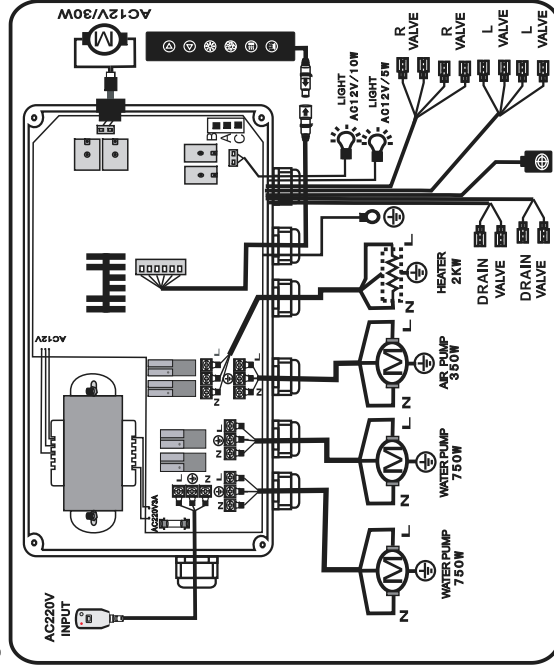
NO.	Functions	Available
1	Touch sensitive control panel	✓
2	whirlpool massage function	✓
3	Waterfall function	✓
4	color light	✓
5	Heater	*
6	air bubble	*

Remark : the function with "✓" means the standard function, and the function with "*" means the optional function.

2.Technical parameters

- Power supply AC220V±10% 50-60Hz
- Pump load ① AC220V 1125W
- Pump load ② AC220V 750W
- Air pump load AC220V 350W
- Heater power AC220V 2000W
- Lamp load AC12V 20W
- Head lamp load:AC12V 5+W
- Jacking motor AC12V 40W
- Magnetic valve DC12V 30W
- The drainage electromagnetic valve load:DC12V 10W
- Dielectric strength 1500V/5MA 1min
- Leak current <0.25mA
- Waterproof grade IPX4

3. CIRCUIT DIAGRAM



1、Electricity parameter

Rated voltage	Rated power	Rated electric current	Reference circuit voltage
220VAC	1875W	<4A	12V

2、Electric installation

- power supply's establishment should be complied with nation security standard, voltage and frequency also should be accord with product's nameplate. Especially install creep-age protect switch and also check whether can connect with ground.
- The wire collected to the massage bathtub should be fitting permanent., and the wire should be a three-core wire, the sectional acreage of each core cannot less than 12A. when wire pass the wall, it should be use bushing for protection until the AC outlet.
- Ground wire of bathtub should be test whether works with house appliance ground wire.
- The wire end of electricity control box should connect to the control panel, water bottom light, loudspeaker, electrical engineering and the detector protection respectively.

3、Water supply device

- This device's hydraulic pressure is 0.2-0.4Mpa.
- The water supply characteristics on the wall: The cold or hot water supplies inside the bathroom also establish in the shelter of the massage tub, use the hose to connect with the cold or hot joint of the tub, the pipe towards is decide by the customer, the machine do not go with the hose.

4、Installation introduction

- Before install, must consider the place of install massage bathtub whether can support this device's pressure.
- Place the massage bathtub on the install position, adjust level to make the drain system smooth.

4.3 Adjust the leg's screw to make sure all of the screw touch ground completely.

- Install the drain hose, and make some measure to against on the connector.
- Fix cold and hot water-pipe well, then install the showerhead. And then put drain into downcomer, finally connect with power and make sure whether device connected with ground can work.

5、Using Method

- Turn on faucet, adjust water's temperature, add water to the massage bathtub, when the highest water level exceed the highest nozzle about 20-30mm and reach the detector, press the switch button to let the electric machine.
- Revolve the adjust switch, and choose the proper surf pressure.
- After finishing if should turn off pump at first, then open drain button, when water is all out, please make a clean of bathtub to keep in good.

6、Clean and keep in good condition

- usually use soft cloths and general liquid cleanser can wash away dirt, but forbid to use the cleanser with acetone or the ammon ia composition, when disinfect, forbid to use the disinfectant contained the formaldehyde.
- the dirty spot of surface can use the toothpaste to wipe with the soft cloth.
- to the low-grade chafe of the surface or burned by cigarette, can soak in water with 2000# levigation sand paper, then polishing.
- if the electroplate piece contain stain, use the soft cloth to wipe lightly, avoid to wiping with coarse cloth.
- often clean up the backwater net cover, prevent it from stop.

- 6.6 Check whether have break on pipe and waterway aperiodically.
- 6.7 Please check whether there is fall off or breakage on wire, switch, connector, plugs so that repair in time.
- 6.8 In order to keep to use in a long term, please remember, don't use more than 3 hours continually.

7、Fault eliminate

Fault	Cause	Way
Machine or equipment doesn't work	Voltage unstable	Check circuitry
	Power connector didn't connect well or open circuit	Insert again or change power line
	The windpipe connect air switch fall off or break	Connect again or change
Big nose of machine	The air switch failure	Change
	Power's parameter is not same as nameplate	Connect with supplier
	Fixed screw did'n fix or fall off	Fix tightly again
water pipe leak out	Support's leg screw did not touch ground	Adjust
	Aging	Change
	The joint did not fix well	Fix again
	Water pipe or accessory leak	Change

Remark: except this fault, please according to situation to resolve, or find experienced people to repair.

8、special remind

- 8.1 please find qualified people to install bathtub according to introduction.
- 8.2 when you are using it, first of all you have to inject the cold water and then inject the hot water. Don't inject the hot water first.
- 8.3 bathtub's machine must connect on ground, support must use 1.5mm² yellow/green double wire connect with ground and check whether effective.
- 8.4 please do not turn on machine without water, before draining should turn off machine.
- 8.5 children should be looked after in bathtub.
- 8.6 bathtub's temperature can't higher than people average temperature, and the best is 32-37centigrade.
- 8.7 after shower, please cut off power.
- 8.8 if have these situation, please do not enter into message bathtub.
- 8.8.1 younger than 4 years old's child;
- 8.8.2 blood circulation unstabled people;
- 8.8.3 sot;
- 8.8.4 suffer from flu;
- 8.8.5 heart disease;
- 8.8.6 already have sauna;
- 8.8.7 after meal in half a hour;

Remark: our company has the right to modify the above mention without further notice.

Bathtub User's Guide

WARNINGS

1. Please follow the instruction contained in the attached installation manual to ensure that the product is installed properly. the manufacturer will not be held liable for damages or injuries caused by improper installation.
2. Follow the instructions contained in this manual when using the product.
3. Before using the bathtub, check the local voltage that if reach to the rated voltage(pre-installation card).

CONTENTS

- 1.Functions(WS-03)
2. Technical parameters
3. CIRCUIT DIAGRAM
- 4.CONTROL PANEL DESCRIPTION
- 5.Function operational specification:
- 6.Items For Attention