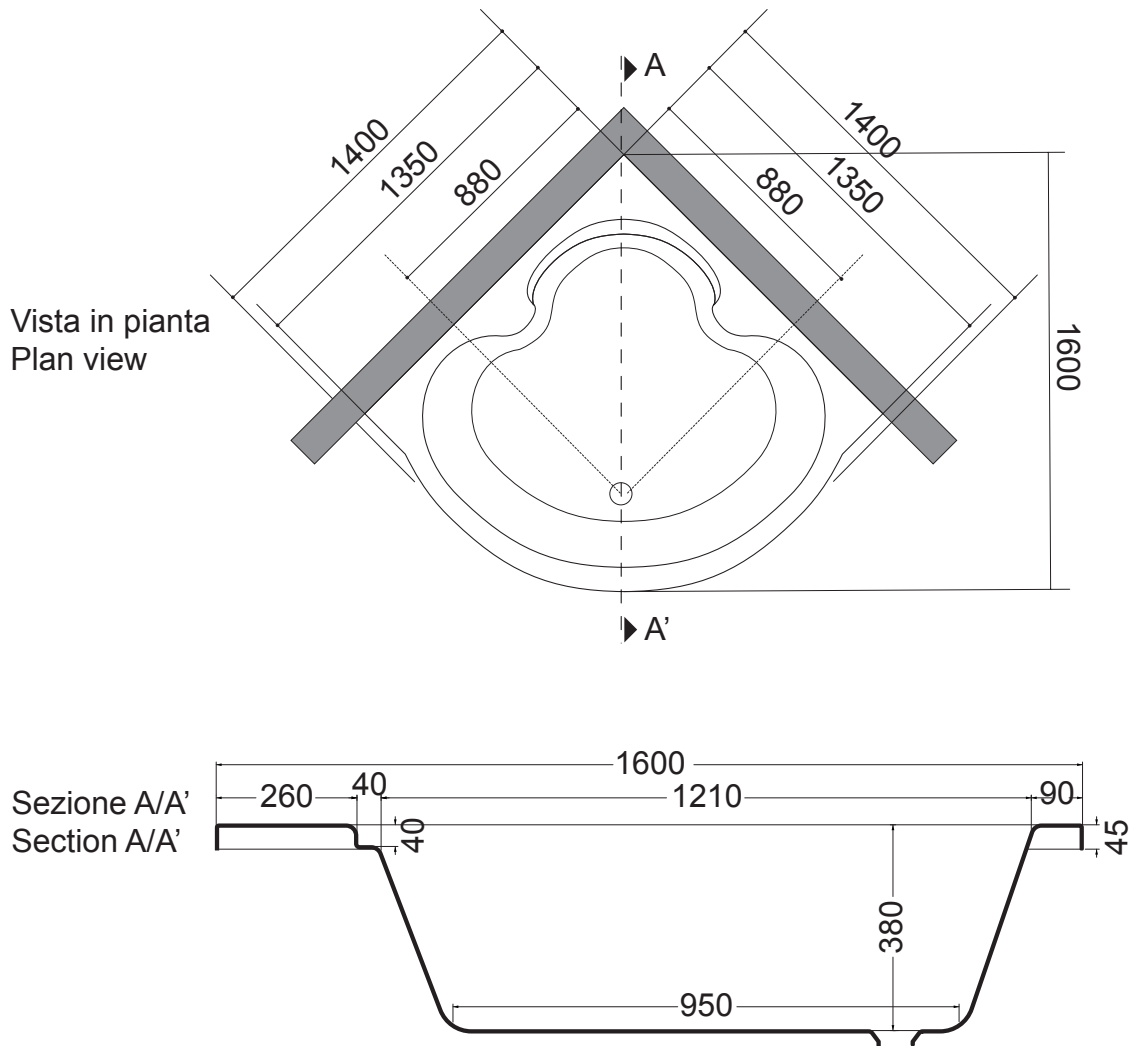


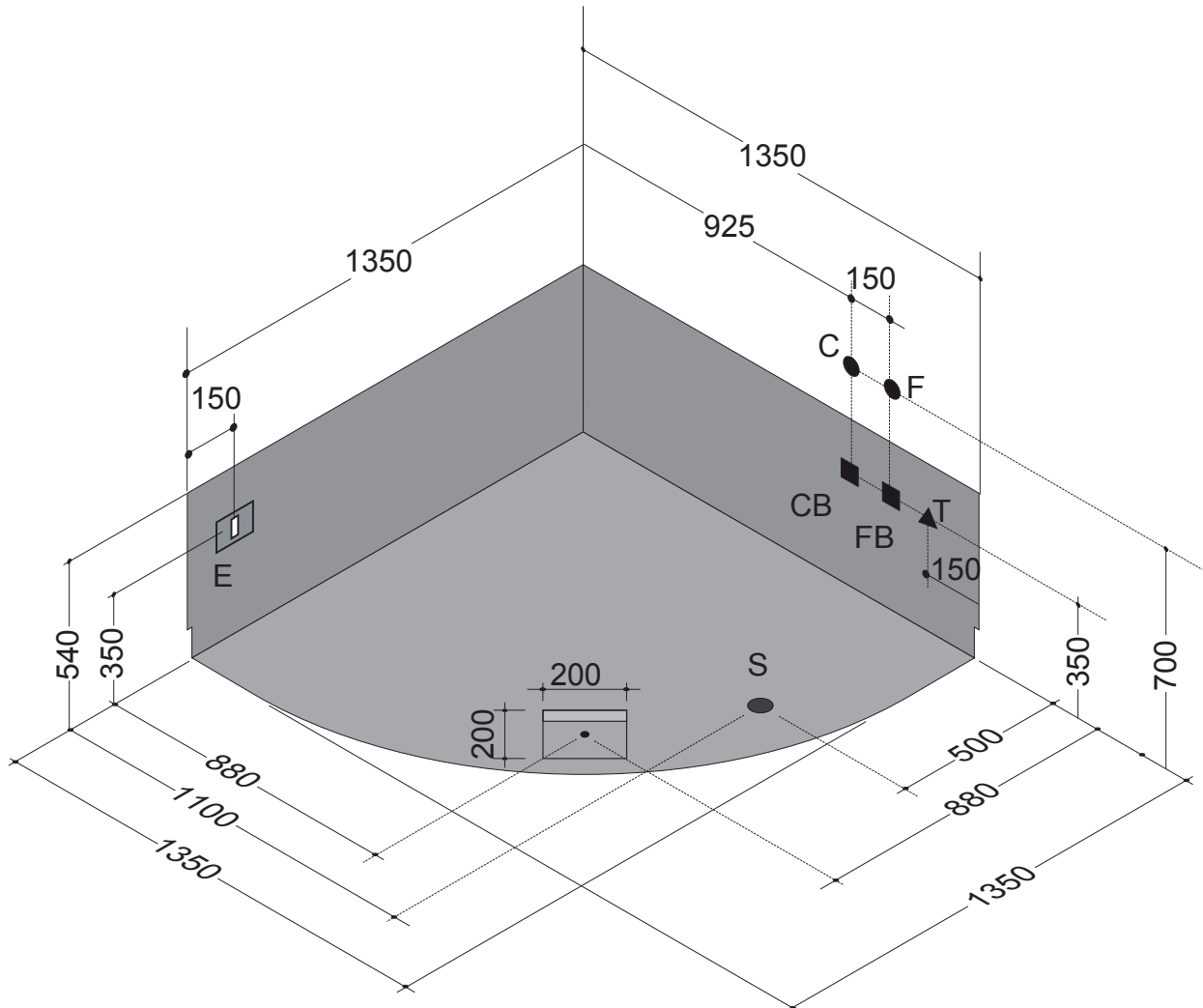
VASCA IN ACRILICO 135X135

DATI TECNICI

ACRYLIC BATHTUB 135X135

TECHNICAL INFO





**Ingombro vasca proiettato nel muro**  
 Bath overall dimensions as projected on the wall

### VASCA IN ACRILICO 135X135

### DATI TECNICI

ACRYLIC BATHTUB 135X135

TECHNICAL INFO

I	CARATTERISTICHE IDRAULICHE	CARATTERISTICHE ELETTRICHE	REQUISITI DI PREINSTALLAZIONE	COMBINAZIONI RUBINETTERIA
<p><b>N.B. L'INSTALLAZIONE DEVE AVVENIRE A PAVIMENTO E PARETI FINITE</b></p>	<p>Numero jets: 7</p>	<p>V 220/240</p>	<p>C : Allaccio acqua calda rubinetteria parete: 1/2"</p>	<p>C F : Rubinetteria parete ● ●</p>
<p>Peso netto: <b>Kg 46</b></p>		<p>HZ 50/60</p>	<p>F : Allaccio acqua fredda rubinetteria parete: 1/2"</p>	<p>CFT: Rubinetteria parete con erogazione troppopieno ● ● ●</p>
<p>Peso spedizione: <b>Kg 64</b></p>		<p>KW 0.78</p>	<p>CB : Allaccio acqua calda bordo vasca: 1/2"</p>	<p>CB BF: Rubinetteria bordo vasca ■ ■</p>
<p>Volume spedizione: <b>m3 = 0,777</b></p>		<p>A 4.5</p>	<p>FB : Allaccio acqua fredda bordo vasca: 1/2"</p>	<p>T : Allaccio miscelatore per erogazione da troppopieno: 1/2"</p>
<p>Contenuto acqua</p>			<p>S : Allaccio scarico incassato a pavimento: 1-1/2"</p>	
<p>E : Allaccio elettrico idromassaggio</p>			<p>E : Allaccio elettrico idromassaggio</p>	
<p>IPX5</p>				
GB	WATER SYSTEM SPECIFICATION	POWER SYSTEM SPECIFICATION	CONDITION REQUIRED BEFORE THE INSTALLATION	TAPS COMBINATION
<p><b>N.B. THE INSTALLATION MUST BE CARRIED OUT WITH FLOOR AND WALLS ALRESDY TILED</b></p>	<p>Numero jets: 7</p>	<p>V 220/240</p>	<p>C : Wall taps outlet for hot water: 1/2"</p>	<p>C F : Wall taps ● ●</p>
<p>Net weight: <b>Kg 46</b></p>		<p>HZ 50/60</p>	<p>F : Wall taps outlet for cold water: 1/2"</p>	<p>CFT: Wall taps with water supply by overflowing ● ● ●</p>
<p>total weight with package: <b>Kg 64</b></p>		<p>KW 0.78</p>	<p>CB : Bath edge taps outlet for hot water: 1/2"</p>	<p>CB BF: Bath edge taps ■ ■</p>
<p>Volume with package: <b>m3 = 0,777</b></p>		<p>A 4.5</p>	<p>FB : Bath edge taps outlet for cold water: 1/2"</p>	<p>T : Single outlet for mixed water to supply by overflowing: 1/2"</p>
<p>Water capacity</p>			<p>S : Drainage outlet istalled in the floor: 1-1/2"</p>	
<p>E : Power outlet for the wirpool</p>			<p>E : Power outlet for the wirpool</p>	
<p>IPX5</p>				
F	WATER SYSTEM SPECIFICATION	POWER SYSTEM SPECIFICATION	CONDITION REQUIRED BEFORE THE INSTALLATION	TAPS COMBINATION
<p><b>N.B. THE INSTALLATION MUST BE CARRIED OUT WITH FLOOR AND WALLS ALRESDY TILED</b></p>	<p>Numero jets: 7</p>	<p>V 220/240</p>	<p>C : Wall taps outlet for hot water: 1/2"</p>	<p>C F : Wall taps ● ●</p>
<p>Net weight: <b>Kg 46</b></p>		<p>HZ 50/60</p>	<p>F : Wall taps outlet for cold water: 1/2"</p>	<p>CFT: Wall taps with water supply by overflowing ● ● ●</p>
<p>total weight with package: <b>Kg 64</b></p>		<p>KW 0.78</p>	<p>CB : Bath edge taps outlet for hot water: 1/2"</p>	<p>CB BF: Bath edge taps ■ ■</p>
<p>Volume with package: <b>m3 = 0,777</b></p>		<p>A 4.5</p>	<p>FB : Bath edge taps outlet for cold water: 1/2"</p>	<p>T : Single outlet for mixed water to supply by overflowing: 1/2"</p>
<p>Water capacity</p>			<p>S : Drainage outlet istalled in the floor: 1-1/2"</p>	
<p>E : Power outlet for the wirpool</p>			<p>E : Power outlet for the wirpool</p>	
<p>IPX5</p>				