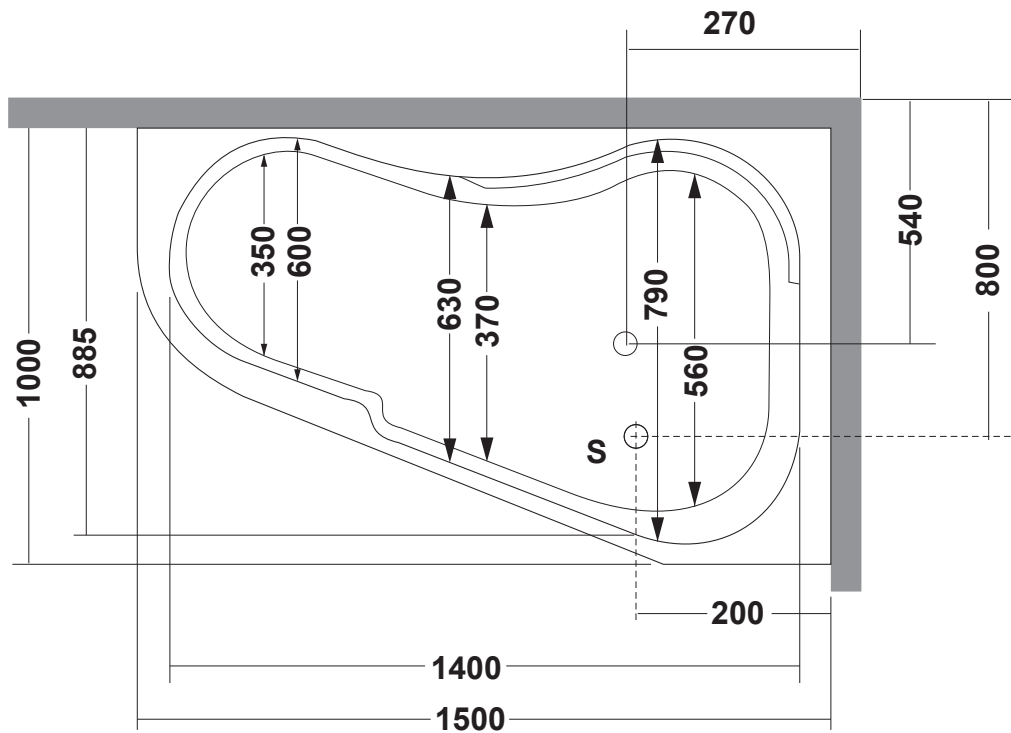


VASCA IN ACRILICO DX 150X100

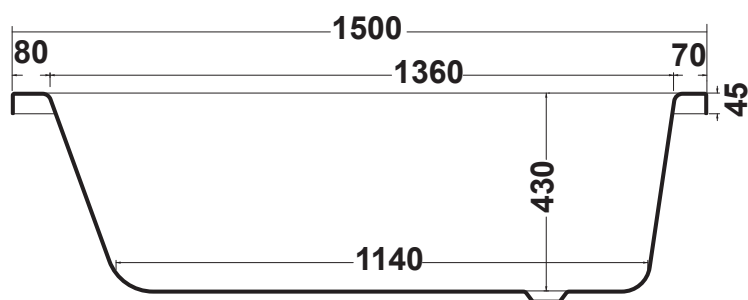
ACRYLIC BATHTUB RX 150X100

DATI TECNICI

TECHNICAL INFO



Vista in pianta
plan view



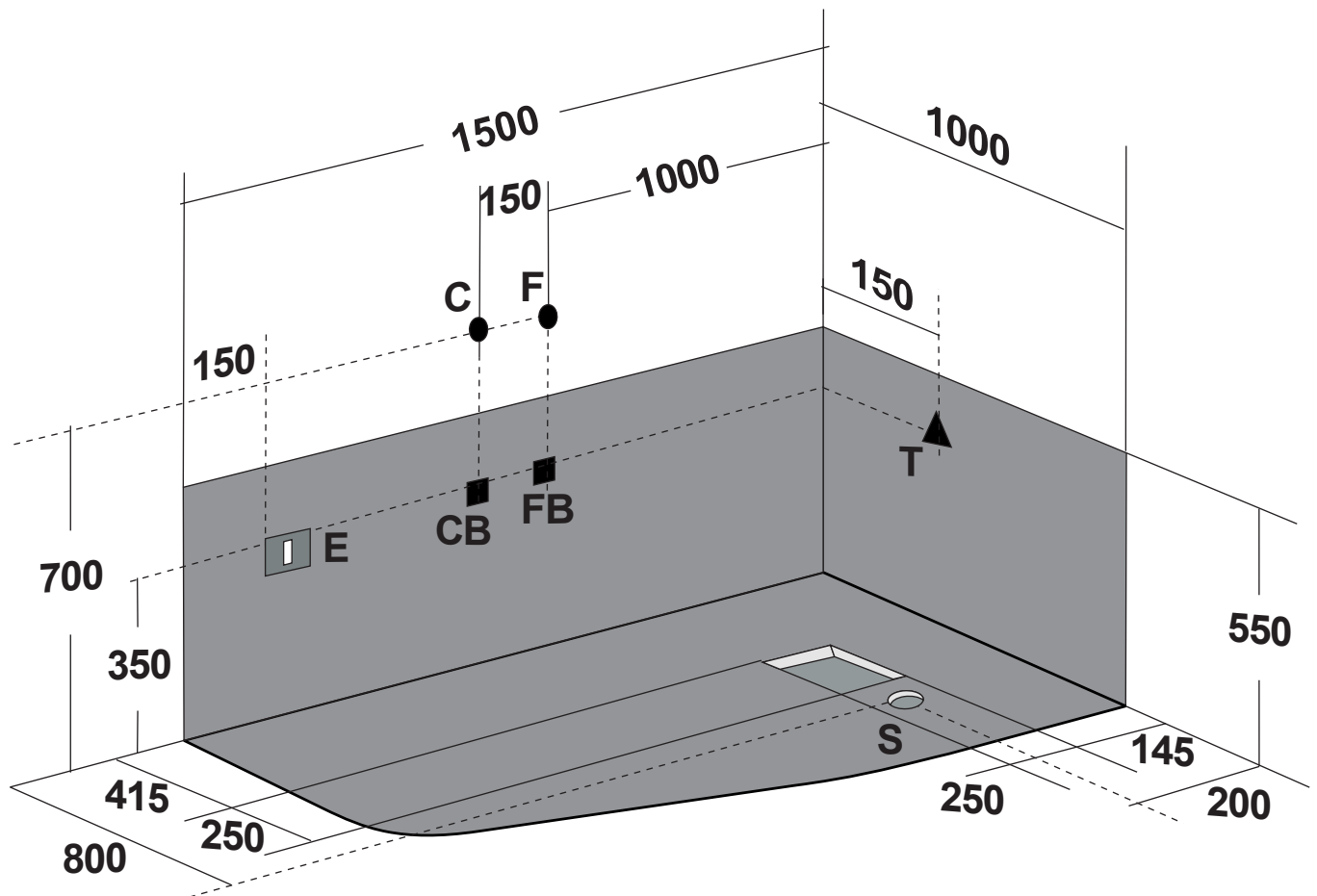
Sezione A/A'
Section A/A'

VASCA IN ACRILICO DX 150X100

ACRYLIC BATHTUB RX 150X100

DATI TECNICI

TECHNICAL INFO



Ingombro vasca proiettato nel muro

Bath overall dimensions as projected on the wall

VASCA IN ACRILICO DX 150X100

DATI TECNICI

ACRYLIC BATHTUB RX 150X100

TECHNICAL INFO

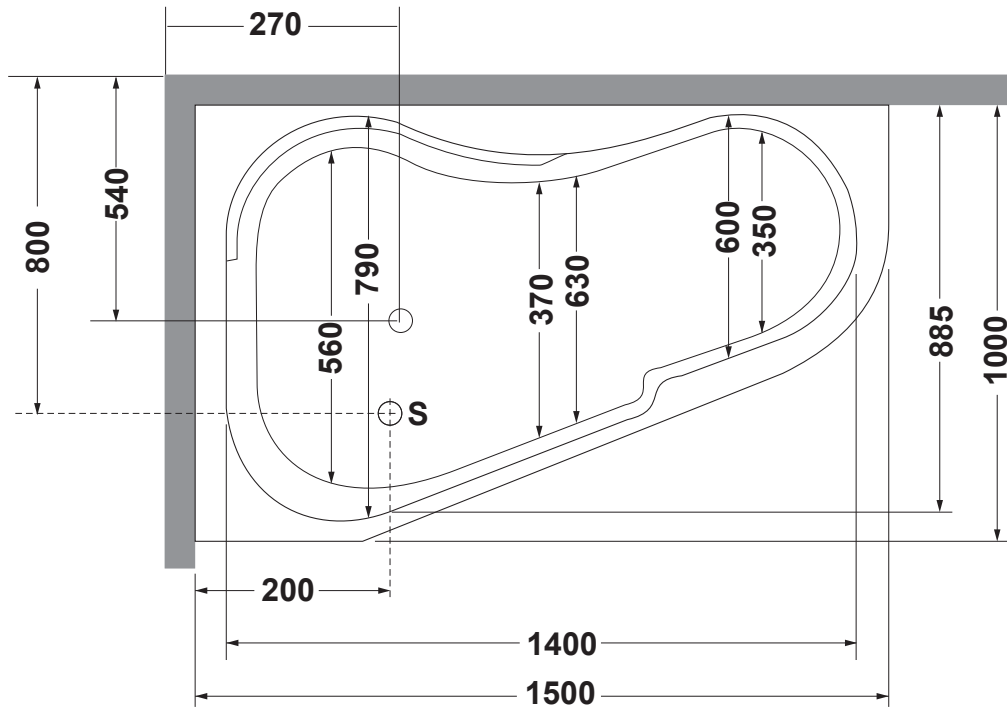
I	CARATTERISTICHE IDRAULICHE	CARATTERISTICHE ELETTRICHE	REQUISITI DI PREINSTALLAZIONE	COMBINAZIONI RUBINETTERIA
<p>N.B. L'INSTALLAZIONE DEVE AVVENIRE A PAVIMENTO E PARETI FINITE</p>	<p>Numero jets: 6</p>	<p>V 220/240</p>	<p>C : Allaccio acqua calda rubinetteria parete: 1/2"</p>	<p>C F : Rubinetteria parete ● ●</p>
<p>Peso netto: Kg 45</p>		<p>HZ 50/60</p>	<p>F : Allaccio acqua fredda rubinetteria parete: 1/2"</p>	<p>CFT: Rubinetteria parete con erogazione troppopieno ● ● ●</p>
<p>Peso spedizione: Kg 58</p>		<p>KW 0.78</p>	<p>CB : Allaccio acqua calda bordo vasca: 1/2"</p>	<p>CB BF: Rubinetteria bordo vasca ■ ■</p>
<p>Volume spedizione: m3 = 0,777</p>		<p>A 4,5</p>	<p>FB : Allaccio acqua fredda bordo vasca: 1/2"</p>	<p>T : Allaccio miscelatore per erogazione da troppopieno: 1/2"</p>
<p>Contenuto acqua</p>			<p>S : Allaccio scarico incassato a pavimento: 1-1/2"</p>	
<p>GB</p>	<p>WATER SYSTEM SPECIFICATION</p>	<p>POWER SYSTEM SPECIFICATION</p>	<p>CONDITION REQUIRED BEFORE THE INSTALLATION</p>	<p>TAPS COMBINATION</p>
<p>N.B. THE INSTALLATION MUST BE CARRIED OUT WITH FLOOR AND WALLS ALRESDY TILED</p>	<p>Numero jets: 6</p>	<p>V 220/240</p>	<p>C : Wall taps outlet for hot water: 1/2"</p>	<p>C F : Wall taps ● ●</p>
<p>Net weight: Kg 45</p>		<p>HZ 50/60</p>	<p>F : Wall taps outlet for cold water: 1/2"</p>	<p>CFT: Wall taps with water supply by overflowing ● ● ●</p>
<p>total weight with package: Kg 58</p>		<p>KW 0.78</p>	<p>CB : Bath edge taps outlet for hot water: 1/2"</p>	<p>CB BF: Bath edge taps ■ ■</p>
<p>Volume with package: m3 = 0,777</p>		<p>A 4,5</p>	<p>FB : Bath edge taps outlet for cold water: 1/2"</p>	<p>T : Single outlet for mixed water to supply by overflowing: 1/2"</p>
<p>Water capacity</p>			<p>S : Drainage outlet istalled in the floor: 1-1/2"</p>	
<p>F</p>	<p>WATER SYSTEM SPECIFICATION</p>	<p>POWER SYSTEM SPECIFICATION</p>	<p>CONDITION REQUIRED BEFORE THE INSTALLATION</p>	<p>TAPS COMBINATION</p>
<p>N.B. THE INSTALLATION MUST BE CARRIED OUT WITH FLOOR AND WALLS ALRESDY TILED</p>	<p>Numero jets: 6</p>	<p>V 220/240</p>	<p>C : Wall taps outlet for hot water: 1/2"</p>	<p>C F : Wall taps ● ●</p>
<p>Net weight: Kg 45</p>		<p>HZ 50/60</p>	<p>F : Wall taps outlet for cold water: 1/2"</p>	<p>CFT: Wall taps with water supply by overflowing ● ● ●</p>
<p>total weight with package: Kg 58</p>		<p>KW 0.78</p>	<p>CB : Bath edge taps outlet for hot water: 1/2"</p>	<p>CB BF: Bath edge taps ■ ■</p>
<p>Volume with package: m3 = 0,777</p>		<p>A 4,5</p>	<p>FB : Bath edge taps outlet for cold water: 1/2"</p>	<p>T : Single outlet for mixed water to supply by overflowing: 1/2"</p>
<p>Water capacity</p>			<p>S : Drainage outlet istalled in the floor: 1-1/2"</p>	
<p>Water capacity</p>			<p>E : Power outlet for the wirpool IPX5</p>	

VASCA IN ACRILICO SX 150X100

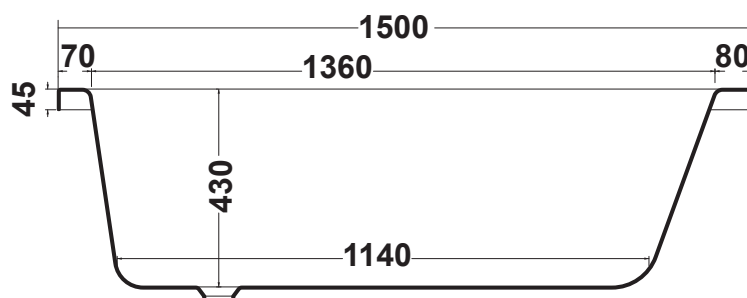
ACRYLIC BATHTUB LX 150X100

DATI TECNICI

TECHNICAL INFO



Vista in pianta
plan view



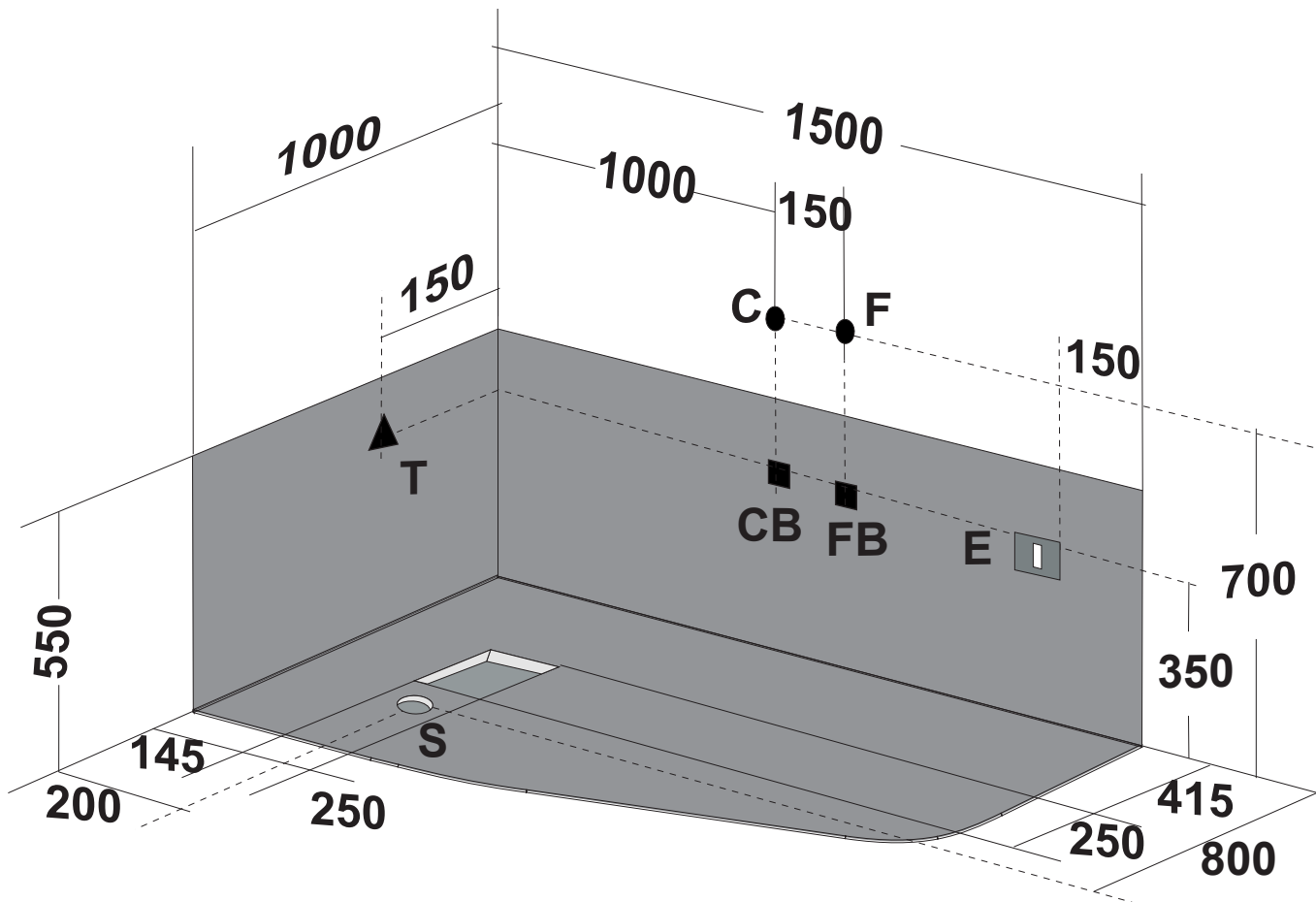
Sezione A/A'
Section A/A'

VASCA IN ACRILICO SX 150X100

ACRYLIC BATHTUB LX 150X100

DATI TECNICI

TECHNICAL INFO



Ingombro vasca proiettato nel muro

Bath overall dimensions as projected on the wall

VASCA IN ACRILICO SX 150X100

DATI TECNICI

ACRYLIC BATHTUB LX 150X100

TECHNICAL INFO

I	CARATTERISTICHE IDRAULICHE	CARATTERISTICHE ELETTRICHE	REQUISITI DI PREINSTALLAZIONE	COMBINAZIONI RUBINETTERIA
<p>N.B. L'INSTALLAZIONE DEVE AVVENIRE A PAVIMENTO E PARETI FINITE</p>	<p>Numero jets: 6</p>	<p>V 220/240</p>	<p>C : Allaccio acqua calda rubinetteria parete: 1/2"</p>	<p>C F : Rubinetteria parete ● ●</p>
<p>Peso netto: Kg 45</p>		<p>HZ 50/60</p>	<p>F : Allaccio acqua fredda rubinetteria parete: 1/2"</p>	<p>CFT: Rubinetteria parete con erogazione troppopieno ● ● ●</p>
<p>Peso spedizione: Kg 58</p>		<p>KW 0.78</p>	<p>CB : Allaccio acqua calda bordo vasca: 1/2"</p>	<p>CB BF: Rubinetteria bordo vasca ■ ■</p>
<p>Volume spedizione: m3 = 0,777</p>		<p>A 4,5</p>	<p>FB : Allaccio acqua fredda bordo vasca: 1/2"</p>	<p>T : Allaccio miscelatore per erogazione da troppopieno: 1/2"</p>
<p>Contenuto acqua</p>			<p>S : Allaccio scarico incassato a pavimento: 1-1/2"</p>	
<p>GB</p>	<p>WATER SYSTEM SPECIFICATION</p>	<p>POWER SYSTEM SPECIFICATION</p>	<p>CONDITION REQUIRED BEFORE THE INSTALLATION</p>	<p>TAPS COMBINATION</p>
<p>N.B. THE INSTALLATION MUST BE CARRIED OUT WITH FLOOR AND WALLS ALRESDY TILED</p>	<p>Numero jets: 6</p>	<p>V 220/240</p>	<p>C : Wall taps outlet for hot water: 1/2"</p>	<p>C F : Wall taps ● ●</p>
<p>Net weight: Kg 45</p>		<p>HZ 50/60</p>	<p>F : Wall taps outlet for cold water: 1/2"</p>	<p>CFT: Wall taps with water supply by overflowing ● ● ●</p>
<p>total weight with package: Kg 58</p>		<p>KW 0.78</p>	<p>CB : Bath edge taps outlet for hot water: 1/2"</p>	<p>CB BF: Bath edge taps ■ ■</p>
<p>Volume with package: m3 = 0,777</p>		<p>A 4,5</p>	<p>FB : Bath edge taps outlet for cold water: 1/2"</p>	<p>T : Single outlet for mixed water to supply by overflowing: 1/2"</p>
<p>Water capacity</p>			<p>S : Drainage outlet istalled in the floor: 1-1/2"</p>	
<p>F</p>	<p>WATER SYSTEM SPECIFICATION</p>	<p>POWER SYSTEM SPECIFICATION</p>	<p>CONDITION REQUIRED BEFORE THE INSTALLATION</p>	<p>TAPS COMBINATION</p>
<p>N.B. THE INSTALLATION MUST BE CARRIED OUT WITH FLOOR AND WALLS ALRESDY TILED</p>	<p>Numero jets: 6</p>	<p>V 220/240</p>	<p>C : Wall taps outlet for hot water: 1/2"</p>	<p>C F : Wall taps ● ●</p>
<p>Net weight: Kg 45</p>		<p>HZ 50/60</p>	<p>F : Wall taps outlet for cold water: 1/2"</p>	<p>CFT: Wall taps with water supply by overflowing ● ● ●</p>
<p>total weight with package: Kg 58</p>		<p>KW 0.78</p>	<p>CB : Bath edge taps outlet for hot water: 1/2"</p>	<p>CB BF: Bath edge taps ■ ■</p>
<p>Volume with package: m3 = 0,777</p>		<p>A 4,5</p>	<p>FB : Bath edge taps outlet for cold water: 1/2"</p>	<p>T : Single outlet for mixed water to supply by overflowing: 1/2"</p>
<p>Water capacity</p>			<p>S : Drainage outlet istalled in the floor: 1-1/2"</p>	
<p>Water capacity</p>			<p>E : Power outlet for the wirpool IPX5</p>	