

WAP BOX

1500x1000 x h 2200 mm (110 lt)

STRUTTURA: ACRILICO

STRUCTURE: ACRYLIC

DOTAZIONI BOX / BOX EQUIPMENT

Cristallo temperato 6 mm
Finitura profili: bianca
Braccio di irrigidimento vetro e cerniere cromo
Seduta

6 mm tempered glass
White profiles
Chrome finish bracket and hinges
Seat

SISTEMI IDROMASSAGGIO / WHIRLPOOL SYSTEMS (pag. 220)



IDRO+

WHIRLPOOL + CROMOTERAPIA
WHIRLPOOL + CHROMOTHERAPY
Whirlpool jets: n. 6



IDRO-TECNO

WHIRLPOOL + AIRPOOL +
CROMOTERAPIA + DISINFEZIONE
WHIRLPOOL + AIRPOOL
CHROMOTHERAPY + DISINFECTION
Whirlpool jets: n. 6
Airpool jets: n. 12

RUBINETTERIA / TAPS (pag. 221)



4 FORI
Four-hole tap set



3 FORI
Three-hole tap set

Finiture gusci e pannelli / Shell and skirt finishes



bianco lucido
glossy white



Colonna di scarico con erogatore
Overflow drain inclusive of fill spout



Cerniera cromo
Chrome hinge



Pomello
Door knob



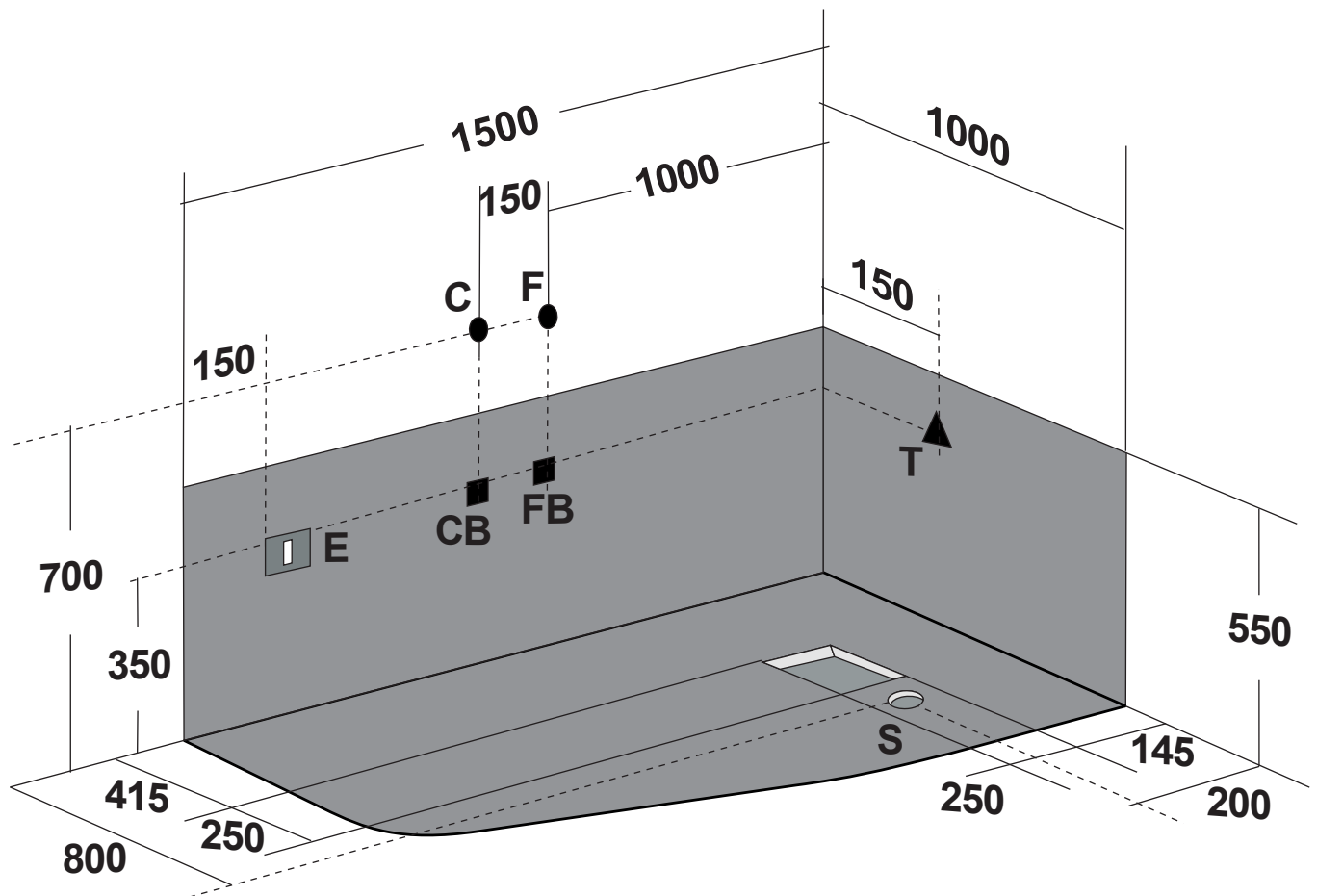
Braccio di irrigidimento vetro
Bracket

VASCA IN ACRILICO DX 150X100

ACRYLIC BATHTUB RX 150X100

DATI TECNICI

TECHNICAL INFO



Ingombro vasca proiettato nel muro

Bath overall dimensions as projected on the wall

VASCA IN ACRILICO DX 150X100

DATI TECNICI

ACRYLIC BATHTUB RX 150X100

TECHNICAL INFO

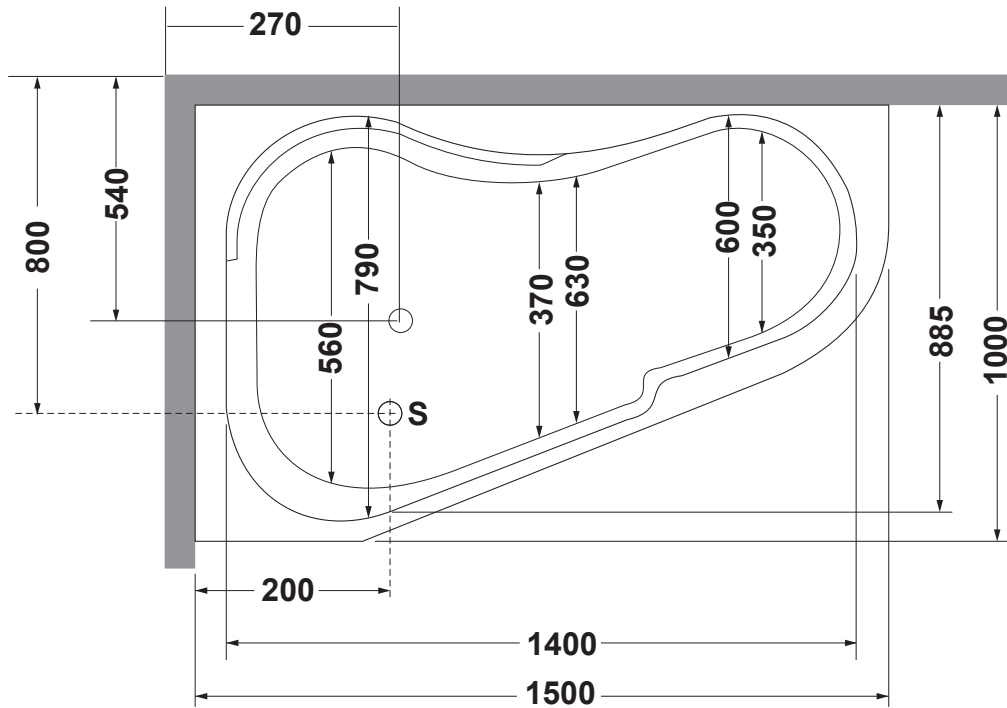
I	CARATTERISTICHE IDRAULICHE	CARATTERISTICHE ELETTRICHE	REQUISITI DI PREINSTALLAZIONE	COMBINAZIONI RUBINETTERIA
<p>N.B. L'INSTALLAZIONE DEVE AVVENIRE A PAVIMENTO E PARETI FINITE</p> <p>Peso netto: Kg 45 Peso spedizione: Kg 58 Volume spedizione: m3 = 0,777 Contenuto acqua: Lt 110</p>	Numero jets: 6	V 220/240	C : Allaccio acqua calda rubinetteria parete: 1/2"	C F : Rubinetteria parete ● ●
		HZ 50/60	F : Allaccio acqua fredda rubinetteria parete: 1/2"	
		KW 0.78	CB : Allaccio acqua calda bordo vasca: 1/2"	CB BF: Rubinetteria bordo vasca ■ ■
		A 4,5	FB : Allaccio acqua fredda bordo vasca: 1/2"	
			T : Allaccio miscelatore per erogazione da troppopieno: 1/2"	
			S : Allaccio scarico incassato a pavimento: 1-1/2"	
			E : Allaccio elettrico idromassaggio IPX5	
GB	WATER SYSTEM SPECIFICATION	POWER SYSTEM SPECIFICATION	CONDITION REQUIRED BEFORE THE INSTALLATION	TAPS COMBINATION
<p>N.B. THE INSTALLATION MUST BE CARRIED OUT WITH FLOOR AND WALLS ALRESDY TILED</p> <p>Net weight: Kg 45 total weight with package: Kg 58 Volume with package: m3 = 0,777 Water capacity: Lt 110</p>	Numero jets: 6	V 220/240	C : Wall taps outlet for hot water: 1/2"	C F : Wall taps ● ●
		HZ 50/60	F : Wall taps outlet for cold water: 1/2"	
		KW 0.78	CB : Bath edge taps outlet for hot water: 1/2"	CB BF: Bath edge taps ■ ■
		A 4,5	FB : Bath edge taps outlet for cold water: 1/2"	
			T : Single outlet for mixed water to supply by overflowing: 1/2"	
			S : Drainage outlet istalled in the floor: 1-1/2"	
			E : Power outlet for the wirpool IPX5	
F	WATER SYSTEM SPECIFICATION	POWER SYSTEM SPECIFICATION	CONDITION REQUIRED BEFORE THE INSTALLATION	TAPS COMBINATION
<p>N.B. THE INSTALLATION MUST BE CARRIED OUT WITH FLOOR AND WALLS ALRESDY TILED</p> <p>Net weight: Kg 45 total weight with package: Kg 58 Volume with package: m3 = 0,777 Water capacity: Lt 110</p>	Numero jets: 6	V 220/240	C : Wall taps outlet for hot water: 1/2"	C F : Wall taps ● ●
		HZ 50/60	F : Wall taps outlet for cold water: 1/2"	
		KW 0.78	CB : Bath edge taps outlet for hot water: 1/2"	CB BF: Bath edge taps ■ ■
		A 4,5	FB : Bath edge taps outlet for cold water: 1/2"	
			T : Single outlet for mixed water to supply by overflowing: 1/2"	
			S : Drainage outlet istalled in the floor: 1-1/2"	
			E : Power outlet for the wirpool IPX5	

VASCA IN ACRILICO SX 150X100

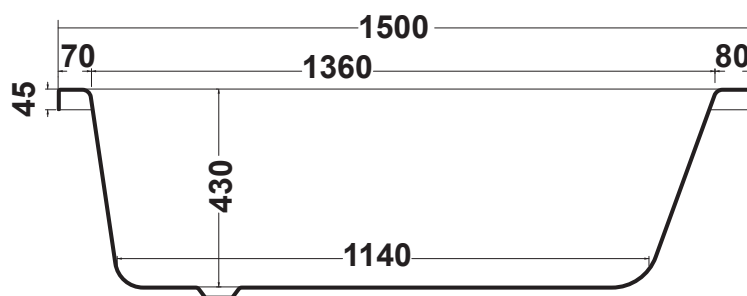
ACRYLIC BATHTUB LX 150X100

DATI TECNICI

TECHNICAL INFO



Vista in pianta
plan view



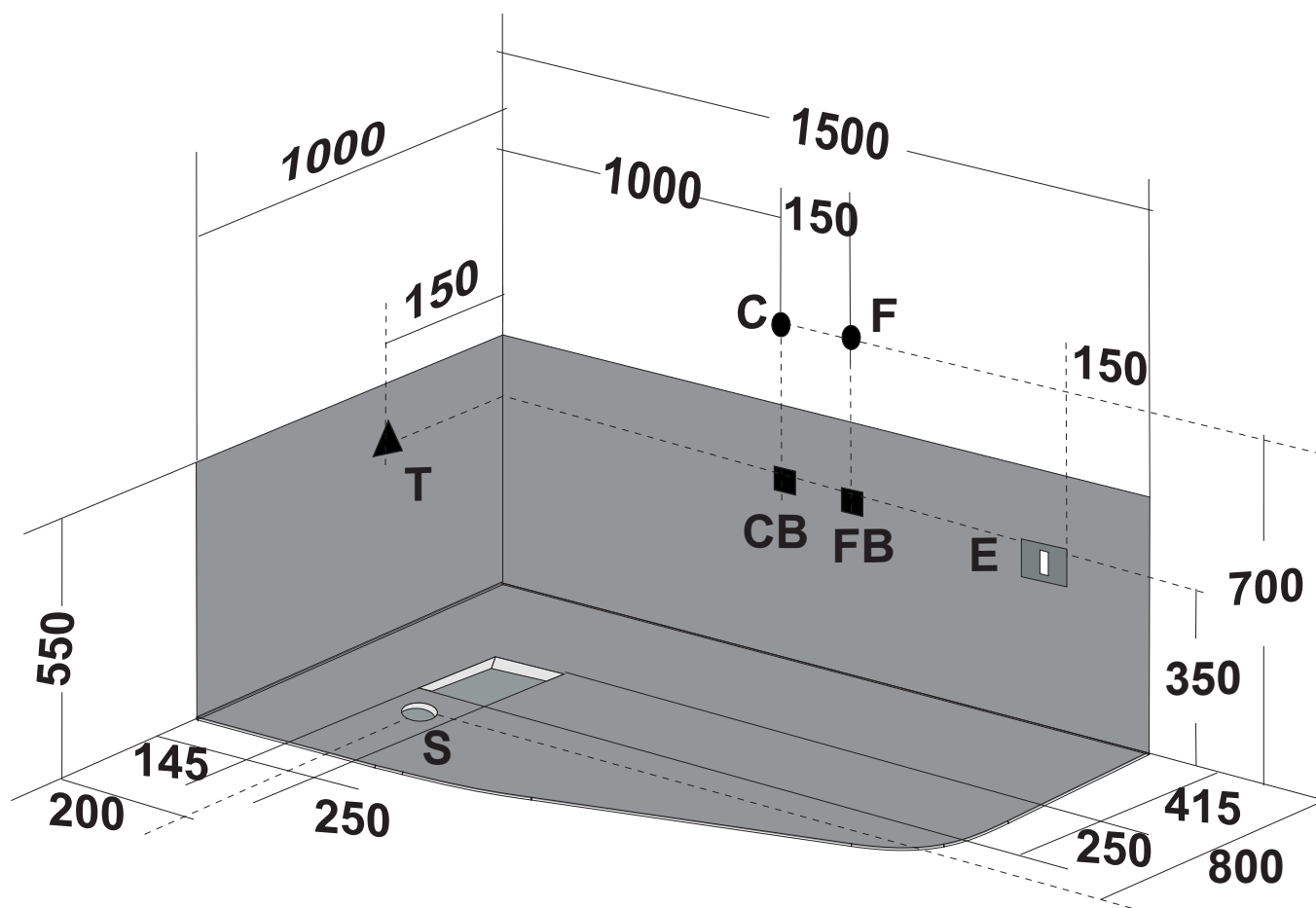
Sezione A/A'
Section A/A'

VASCA IN ACRILICO SX 150X100

ACRYLIC BATHTUB LX 150X100

DATI TECNICI

TECHNICAL INFO



Ingombro vasca proiettato nel muro

Bath overall dimensions as projected on the wall

VASCA IN ACRILICO SX 150X100

DATI TECNICI

ACRYLIC BATHTUB LX 150X100

TECHNICAL INFO

I	CARATTERISTICHE IDRAULICHE	CARATTERISTICHE ELETTRICHE	REQUISITI DI PREINSTALLAZIONE	COMBINAZIONI RUBINETTERIA
<p>N.B. L'INSTALLAZIONE DEVE AVVENIRE A PAVIMENTO E PARETI FINITE</p>	<p>Numero jets: 6</p>	<p>V 220/240</p>	<p>C : Allaccio acqua calda rubinetteria parete: 1/2"</p>	<p>C F : Rubinetteria parete ● ●</p>
<p>Peso netto: Kg 45</p>		<p>HZ 50/60</p>	<p>F : Allaccio acqua fredda rubinetteria parete: 1/2"</p>	<p>CFT: Rubinetteria parete con erogazione troppopieno ● ● ● ●</p>
<p>Peso spedizione: Kg 58</p>		<p>KW 0.78</p>	<p>CB : Allaccio acqua calda bordo vasca: 1/2"</p>	<p>CB BF: Rubinetteria bordo vasca ■ ■</p>
<p>Volume spedizione: m3 = 0,777</p>		<p>A 4,5</p>	<p>FB : Allaccio acqua fredda bordo vasca: 1/2"</p>	
<p>Contenuto acqua</p>		<p>T : Allaccio miscelatore per erogazione da troppopieno: 1/2"</p>	<p>S : Allaccio scarico incassato a pavimento: 1-1/2"</p>	
<p></p>		<p>E : Allaccio elettrico idromassaggio</p>	<p>IPX5</p>	
GB	WATER SYSTEM SPECIFICATION	POWER SYSTEM SPECIFICATION	CONDITION REQUIRED BEFORE THE INSTALLATION	TAPS COMBINATION
<p>N.B. THE INSTALLATION MUST BE CARRIED OUT WITH FLOOR AND WALLS ALRESDY TILED</p>	<p>Numero jets: 6</p>	<p>V 220/240</p>	<p>C : Wall taps outlet for hot water: 1/2"</p>	<p>C F : Wall taps ● ●</p>
<p>Net weight: Kg 45</p>		<p>HZ 50/60</p>	<p>F : Wall taps outlet for cold water: 1/2"</p>	<p>CFT: Wall taps with water supply by overflowing ● ● ● ●</p>
<p>total weight with package: Kg 58</p>		<p>KW 0.78</p>	<p>CB : Bath edge taps outlet for hot water: 1/2"</p>	<p>CB BF: Bath edge taps ■ ■</p>
<p>Volume with package: m3 = 0,777</p>		<p>A 4,5</p>	<p>FB : Bath edge taps outlet for cold water: 1/2"</p>	
<p>Water capacity</p>		<p>T : Single outlet for mixed water to supply by overflowing: 1/2"</p>	<p>S : Drainage outlet istalled in the floor: 1-1/2"</p>	
<p></p>		<p>E : Power outlet for the wirpool</p>	<p>IPX5</p>	
F	WATER SYSTEM SPECIFICATION	POWER SYSTEM SPECIFICATION	CONDITION REQUIRED BEFORE THE INSTALLATION	TAPS COMBINATION
<p>N.B. THE INSTALLATION MUST BE CARRIED OUT WITH FLOOR AND WALLS ALRESDY TILED</p>	<p>Numero jets: 6</p>	<p>V 220/240</p>	<p>C : Wall taps outlet for hot water: 1/2"</p>	<p>C F : Wall taps ● ●</p>
<p>Net weight: Kg 45</p>		<p>HZ 50/60</p>	<p>F : Wall taps outlet for cold water: 1/2"</p>	<p>CFT: Wall taps with water supply by overflowing ● ● ● ●</p>
<p>total weight with package: Kg 58</p>		<p>KW 0.78</p>	<p>CB : Bath edge taps outlet for hot water: 1/2"</p>	<p>CB BF: Bath edge taps ■ ■</p>
<p>Volume with package: m3 = 0,777</p>		<p>A 4,5</p>	<p>FB : Bath edge taps outlet for cold water: 1/2"</p>	
<p>Water capacity</p>		<p>T : Single outlet for mixed water to supply by overflowing: 1/2"</p>	<p>S : Drainage outlet istalled in the floor: 1-1/2"</p>	
<p></p>		<p>E : Power outlet for the wirpool</p>	<p>IPX5</p>	