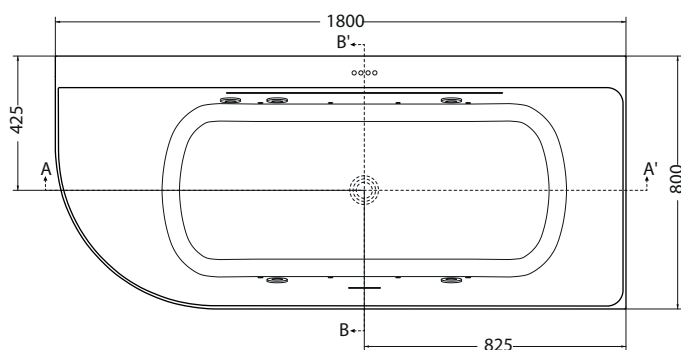


Descrizione / Description :

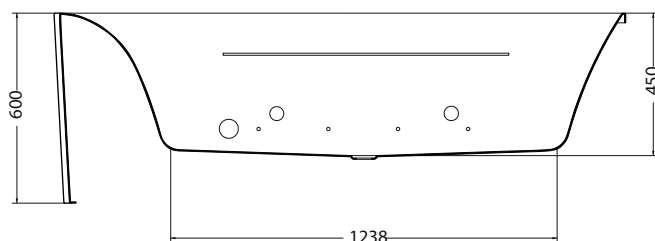
Vasca Freestanding in acrilico Milano dx
 Acrylic Freestanding bathtub
 1800x800xh600 mm_Cod: VFRMI1808060DX



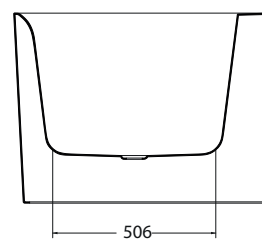
Disegno Tecnico / Technical Drawings :



PIANTA



SEZIONE A-A'



SEZIONE B-B'

Caratteristiche / Characteristics :

Tipologia / Typology : Vasca freestanding in acrilico

Dimensioni / Dimension : 1800x800xh600 mm

Peso / Weight : 73 Kg

Litri / Liters : 274 Lt

Finiture monocolore / Total color finishes :



Bianco Matt
 Matt White

Plus :



Piletta up-down
 Push-push waste



Troppopieno
 Overflow drain



Piedini di regolazione
 Adjustable feet



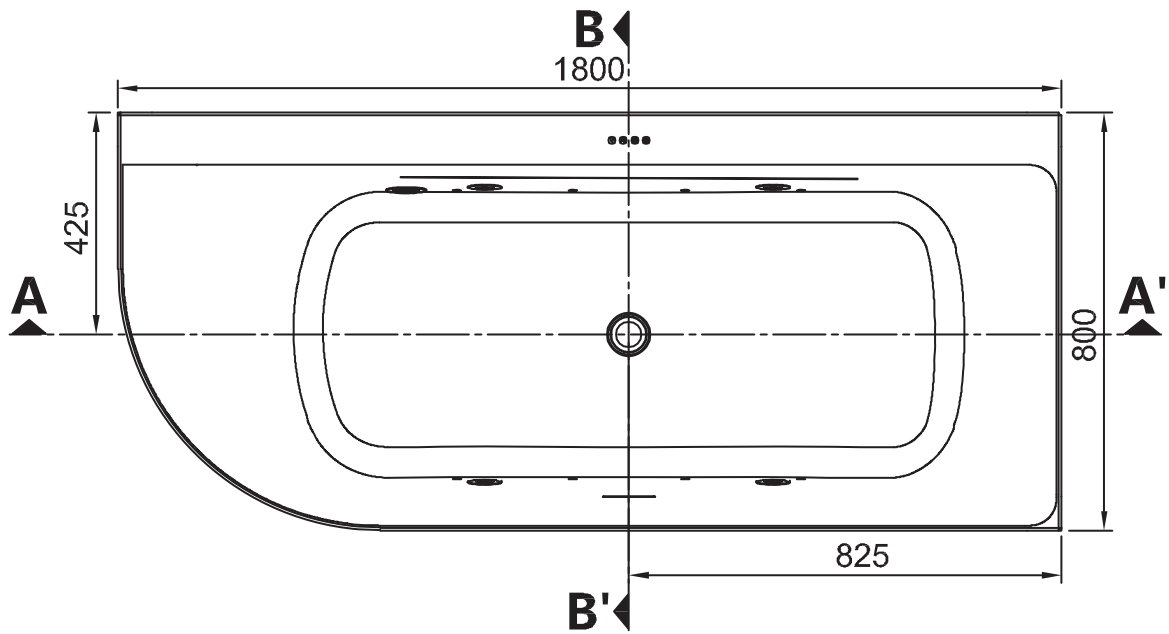
Disponibile kit di riparazione per graffi/scheggiature
 Repair kit available for scratches/chipping



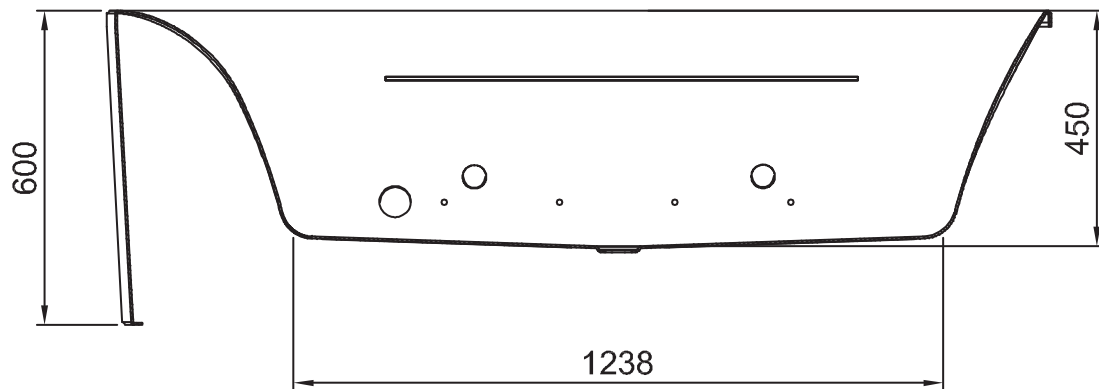
Cromoterapia
 Chromotherapy



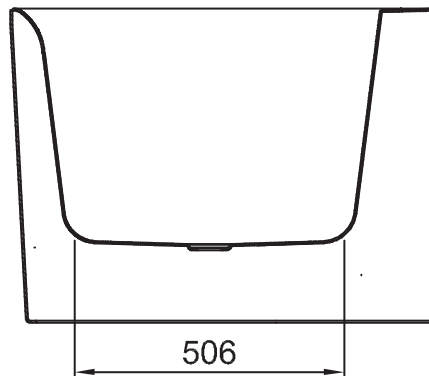
Idromassaggio e cascata
 Waterfall and hydromassage



Vista in pianta
plan view

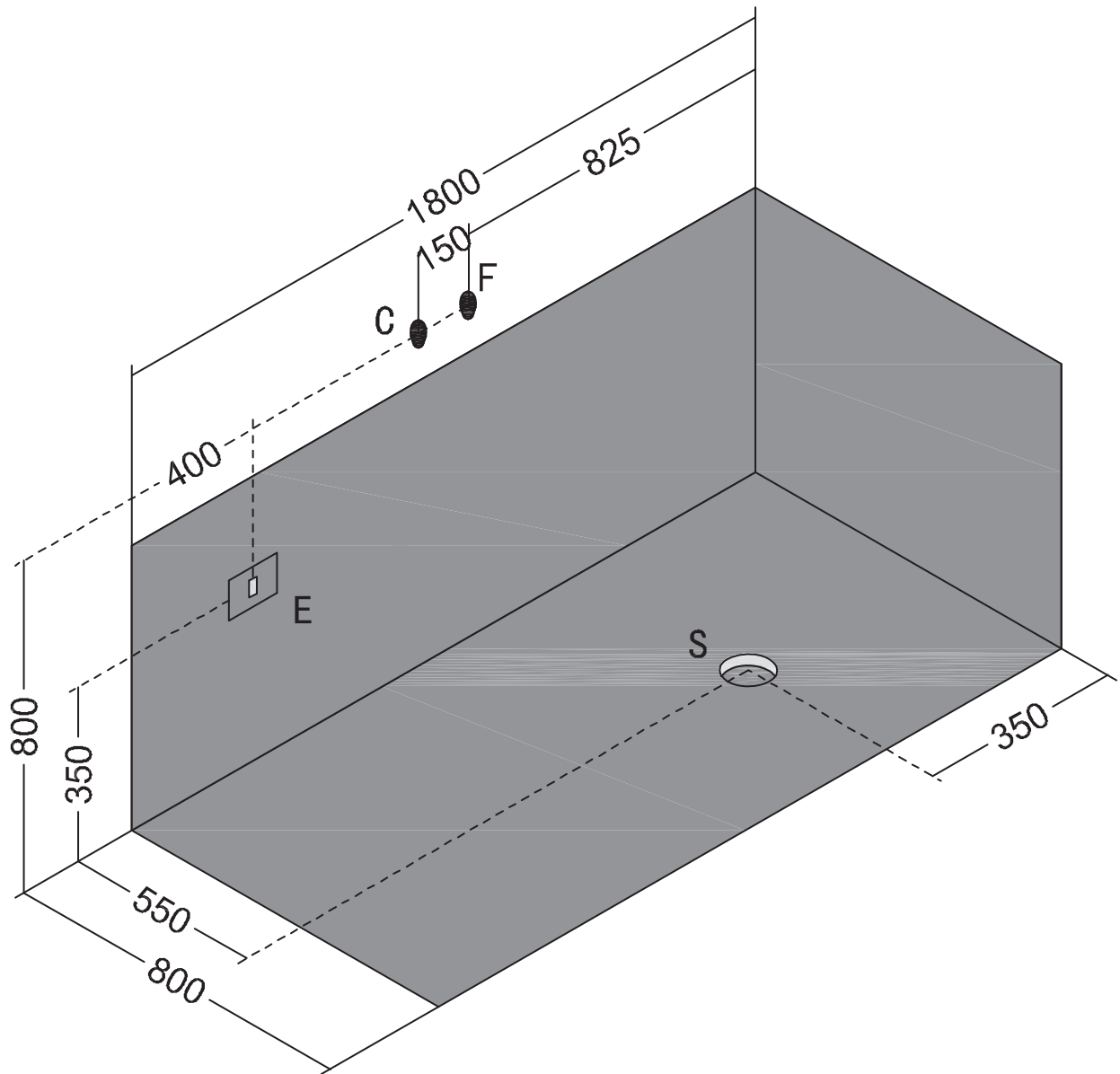


Sezione A/A'
Section A/A'



Sezione B/B'
Section B/B'

Colacril



Ingombro vasca proiettato nel muro

Bath overall dimensions as projected on the wall

Colacril

I	CARATTERISTICHE IDRAULICHE	CARATTERISTICHE ELETTRICHE	REQUISITI DI PREINSTALLAZIONE
N.B. L'INSTALLAZIONE DEVE AVVENIRE A PAVIMENTO E PARETI FINITE	Numero jets: 4	V 220/240	C : Allaccio acqua calda rubinetteria parete: 1/2" F : Allaccio acqua fredda rubinetteria parete: 1/2" S : Allaccio scarico incassato a pavimento: 1-1/2" E : Allaccio elettrico idromassaggio IPX5
Peso netto: Kg 60		HZ 50/60	
Peso spedizione: Kg 90		KW 0.78	
Volume spedizione: m3 = 1,385		A 5	
Contenuto acqua Lt 257			
GB	WATER SYSTEM SPECIFICATION	POWER SYSTEM SPECIFICATION	CONDITION REQUIRED BEFORE THE INSTALLATION
N.B. THE INSTALLATION MUST BE CARRIED OUT WITH FLOOR AND WALLS ALRESDY TILED	Numero jets: 4	V 220/240	C : Wall taps outlet for hot water: 1/2" F : Wall taps outlet for cold water: 1/2" S : Drainage outlet istalled in the floor: 1-1/2" E : Power outlet for the wirpool IPX5
Net weight: Kg 60		HZ 50/60	
total weight with package: Kg 90		KW 0.78	
Volume with package: m3 = 1,385		A 5	
Water capacity Lt 257			
F	WATER SYSTEM SPECIFICATION	POWER SYSTEM SPECIFICATION	CONDITION REQUIRED BEFORE THE INSTALLATION
N.B. THE INSTALLATION MUST BE CARRIED OUT WITH FLOOR AND WALLS ALRESDY TILED	Numero jets: 4	V 220/240	C : Wall taps outlet for hot water: 1/2" F : Wall taps outlet for cold water: 1/2" S : Drainage outlet istalled in the floor: 1-1/2" E : Power outlet for the wirpool IPX5
Net weight: Kg 60		HZ 50/60	
total weight with package: Kg 90		KW 0.78	
Volume with package: m3 = 1,385		A 5	
Water capacity Lt 257			

Descrizione / Description :

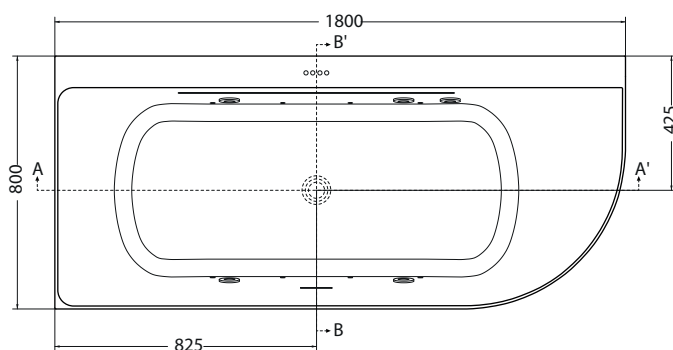
Vasca Freestanding in acrilico Milano sx

Acrylic Freestanding bathtub

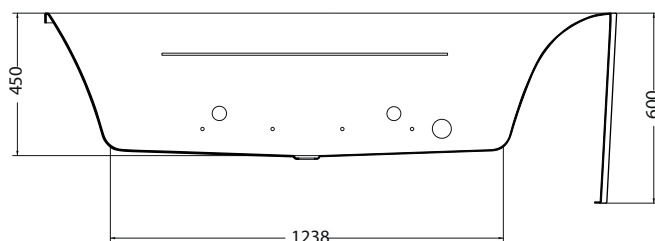
1800x800xh600 mm_Cod: VFRMI1808060SX



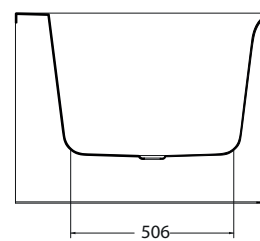
Disegno Tecnico / Technical Drawings :



PIANTA



SEZIONE A-A'



SEZIONE B-B'

Caratteristiche / Characteristics :

Tipologia / Typology : Vasca freestanding in acrilico

Dimensioni / Dimension : 1800x800xh600 mm

Peso / Weight : 73 Kg

Litri / Liters : 274 Lt

Finiture monocolore / Total color finishes :



Bianco Matt
Matt White

Plus :



Piletta up-down
Push-push waste



Troppopieno
Overflow drain



Piedini di regolazione
Adjustable feet



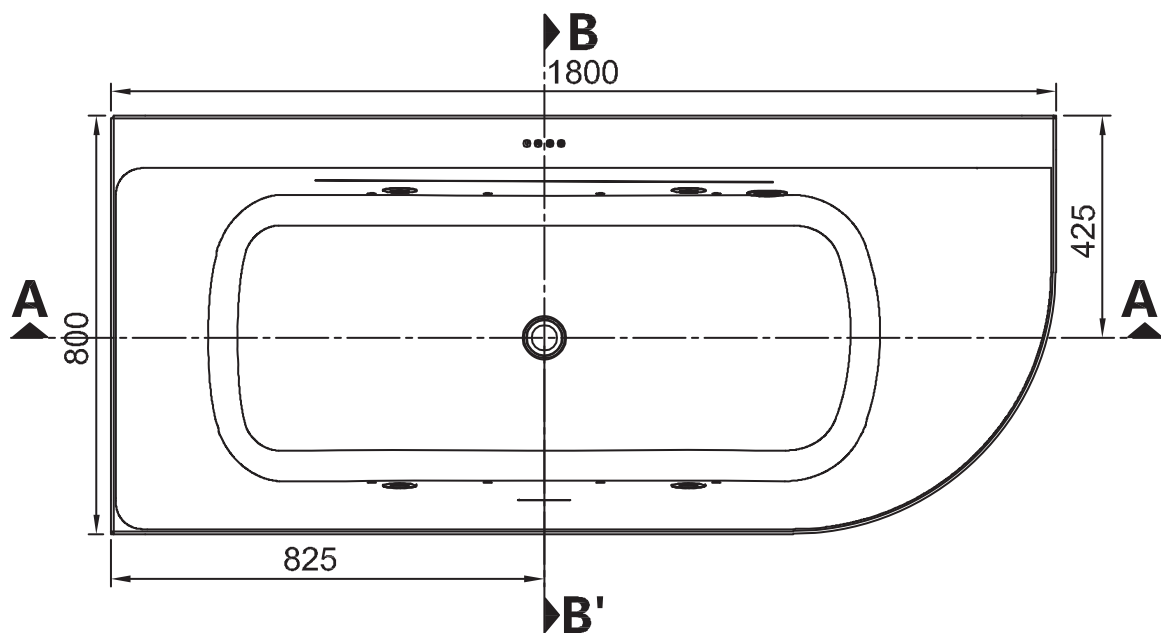
Disponibile kit di riparazione per graffi/scheggiature
Repair kit available for scratches/chipping



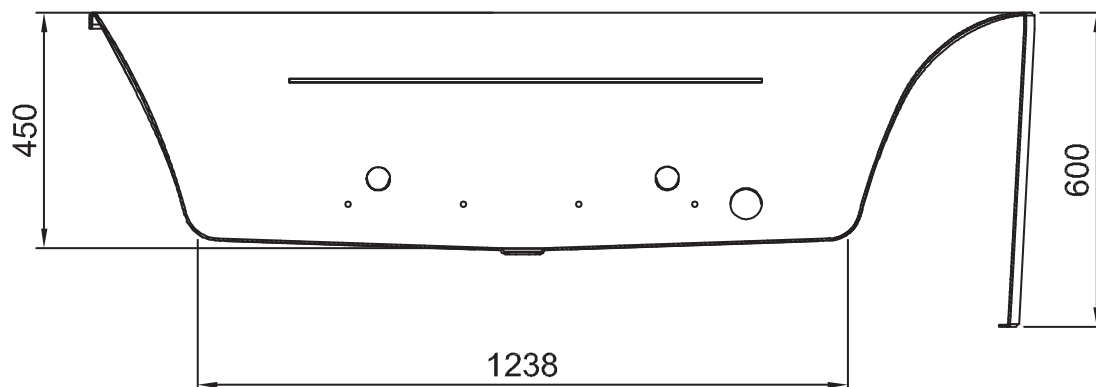
Cromoterapia
Chromoterapy



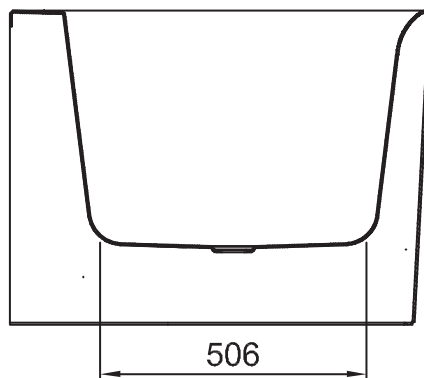
Idromassaggio e cascata
Waterfall and hydromassage



Vista in pianta
plan view

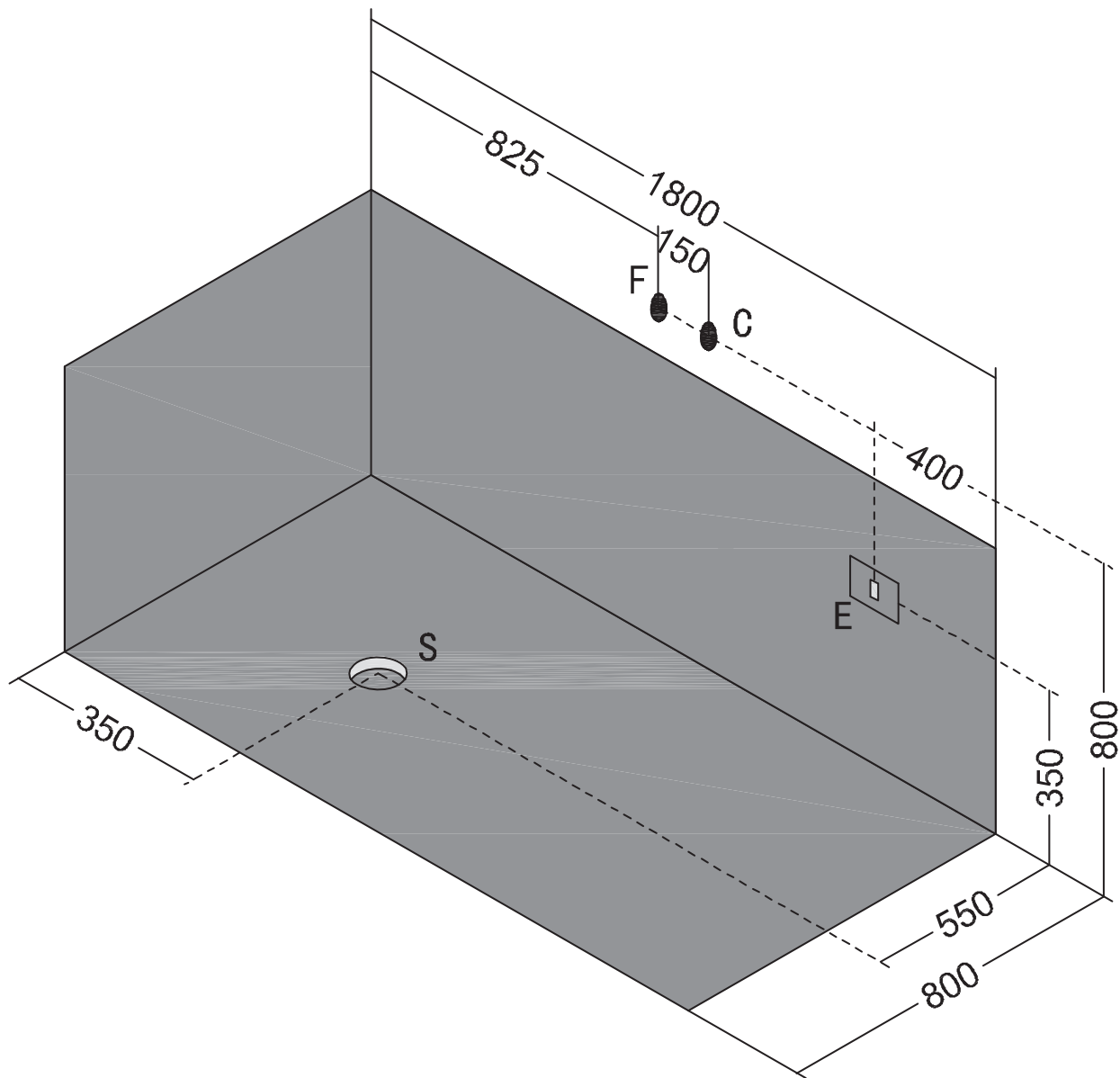


Sezione A/A'
Section A/A'



Sezione B/B'
Section B/B'

Colacril



Ingombro vasca proiettato nel muro

Bath overall dimensions as projected on the wall

Colacril

I	CARATTERISTICHE IDRAULICHE	CARATTERISTICHE ELETTRICHE	REQUISITI DI PREINSTALLAZIONE
N.B. L'INSTALLAZIONE DEVE AVVENIRE A PAVIMENTO E PARETI FINITE	Numero jets: 4	V 220/240	C : Allaccio acqua calda rubinetteria parete: 1/2" F : Allaccio acqua fredda rubinetteria parete: 1/2" S : Allaccio scarico incassato a pavimento: 1-1/2" E : Allaccio elettrico idromassaggio IPX5
Peso netto: Kg 60		HZ 50/60	
Peso spedizione: Kg 90		KW 0.78	
Volume spedizione: m3 = 1,385		A 5	
Contenuto acqua Lt 257			
GB	WATER SYSTEM SPECIFICATION	POWER SYSTEM SPECIFICATION	CONDITION REQUIRED BEFORE THE INSTALLATION
N.B. THE INSTALLATION MUST BE CARRIED OUT WITH FLOOR AND WALLS ALRESDY TILED	Numero jets: 4	V 220/240	C : Wall taps outlet for hot water: 1/2" F : Wall taps outlet for cold water: 1/2" S : Drainage outlet istalled in the floor: 1-1/2" E : Power outlet for the wirpool IPX5
Net weight: Kg 60		HZ 50/60	
total weight with package: Kg 90		KW 0.78	
Volume with package: m3 = 1,385		A 5	
Water capacity Lt 257			
F	WATER SYSTEM SPECIFICATION	POWER SYSTEM SPECIFICATION	CONDITION REQUIRED BEFORE THE INSTALLATION
N.B. THE INSTALLATION MUST BE CARRIED OUT WITH FLOOR AND WALLS ALRESDY TILED	Numero jets: 4	V 220/240	C : Wall taps outlet for hot water: 1/2" F : Wall taps outlet for cold water: 1/2" S : Drainage outlet istalled in the floor: 1-1/2" E : Power outlet for the wirpool IPX5
Net weight: Kg 60		HZ 50/60	
total weight with package: Kg 90		KW 0.78	
Volume with package: m3 = 1,385		A 5	
Water capacity Lt 257			