

Descrizione / Description :

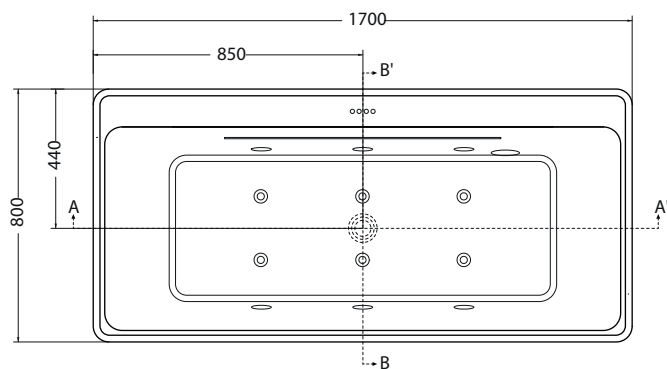
Vasca Freestanding in acrilico Montecatini Idro

Acrylic Freestanding bathtub

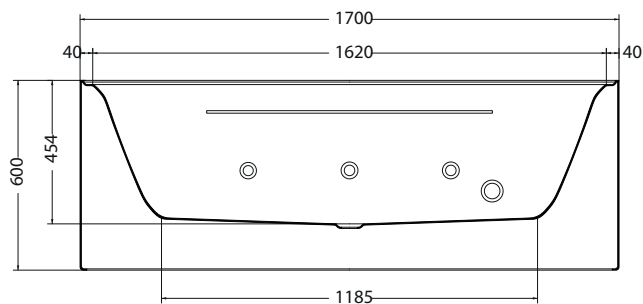
1700x800xh600 mm_Cod: VFRMO1708060



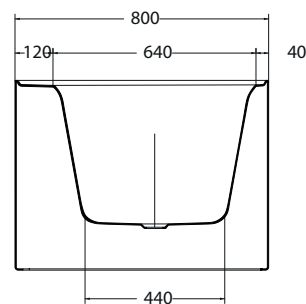
Disegno Tecnico / Technical Drawings :



PIANTA



SEZIONE A-A'



SEZIONE B-B'

Caratteristiche / Characteristics :

Tipologia / Typology : Vasca freestanding in acrilico

Dimensioni / Dimension : 1700x800xh600 mm

Peso / Weight : 51 Kg

Litri / Liters : 274 Lt

Finiture monocolore / Total color finishes :



Bianco Matt
Matt White

Plus :



Piletta up-down
Push-push waste



Troppopieno
Overflow drain



Piedini di regolazione
Adjustable feet



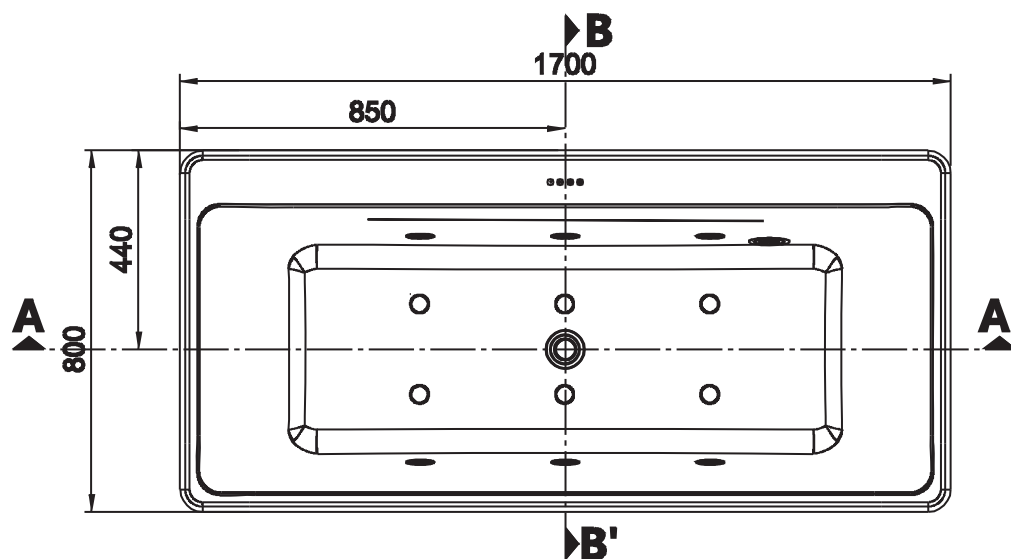
Idromassaggio e cascata
Waterfall and hydromassage



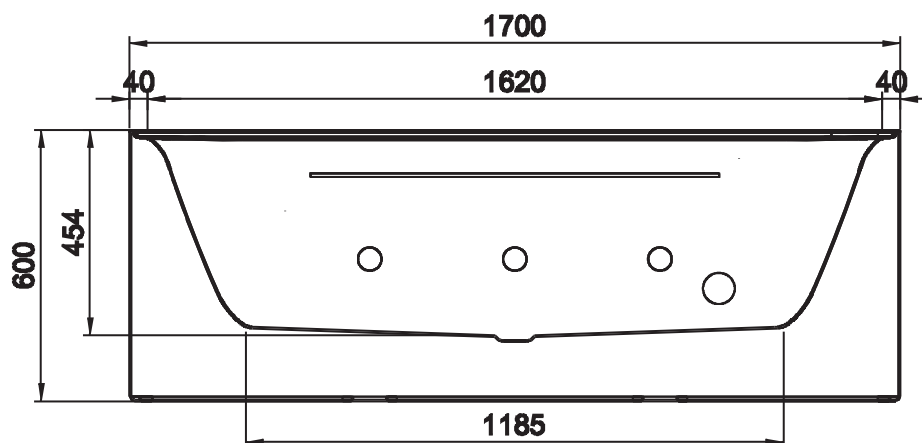
Airpool



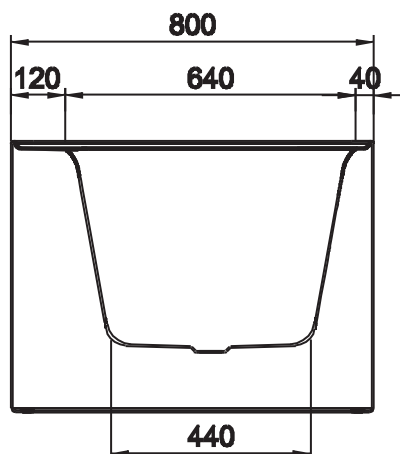
Cromoterapia
Chromoterapy



Vista in pianta
plan view

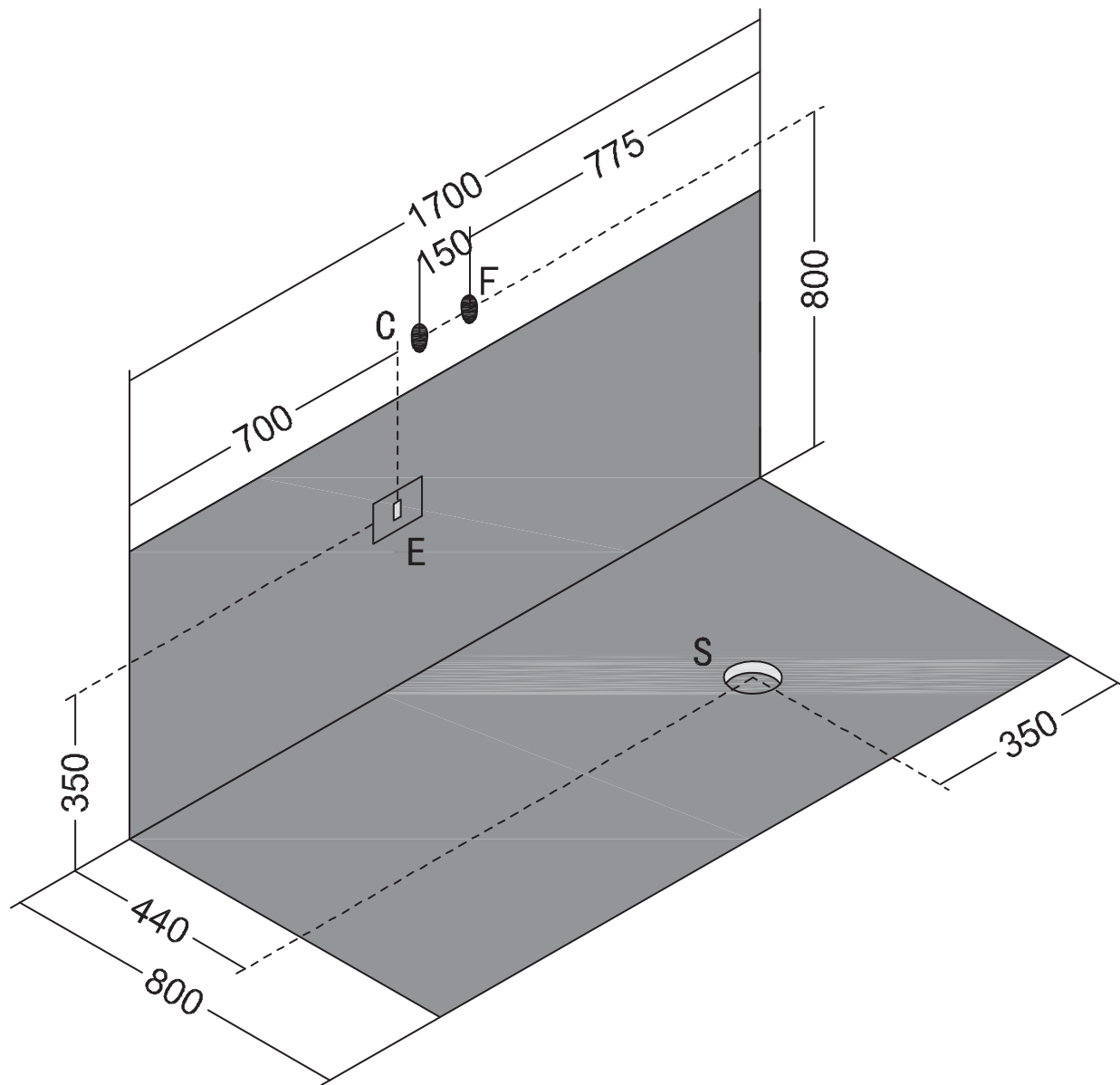


Sezione A/A'
Section A/A'



Sezione B/B'
Section B/B'

Colacril



Ingombro vasca proiettato nel muro

Bath overall dimensions as projected on the wall

Colacril

I	CARATTERISTICHE IDRAULICHE	CARATTERISTICHE ELETTRICHE	REQUISITI DI PREINSTALLAZIONE
N.B. L'INSTALLAZIONE DEVE AVVENIRE A PAVIMENTO E PARETI FINITE	Numero jets: 12	V 220/240	C : Allaccio acqua calda rubinetteria parete: 1/2"
Peso netto: Kg 86		HZ 50/60	F : Allaccio acqua fredda rubinetteria parete: 1/2"
Peso spedizione: Kg 112		KW 0.78	S : Allaccio scarico incassato a pavimento: 1-1/2"
Volume spedizione: m3 = 1,299 Contenuto acqua Lt 247		A 5	E : Allaccio elettrico idromassaggio IPX5
GB	WATER SYSTEM SPECIFICATION	POWER SYSTEM SPECIFICATION	CONDITION REQUIRED BEFORE THE INSTALLATION
N.B. THE INSTALLATION MUST BE CARRIED OUT WITH FLOOR AND WALLS ALRESDY TILED	Numero jets: 12	V 220/240	C : Wall taps outlet for hot water: 1/2"
Net weight: Kg 86		HZ 50/60	F : Wall taps outlet for cold water: 1/2"
total weight with package: Kg 112		KW 0.78	S : Drainage outlet istalled in the floor: 1-1/2"
Volume with package: m3 = 1,299 Water capacity Lt 247		A 5	E : Power outlet for the wirpool IPX5
F	WATER SYSTEM SPECIFICATION	POWER SYSTEM SPECIFICATION	CONDITION REQUIRED BEFORE THE INSTALLATION
N.B. THE INSTALLATION MUST BE CARRIED OUT WITH FLOOR AND WALLS ALRESDY TILED	Numero jets: 12	V 220/240	C : Wall taps outlet for hot water: 1/2"
Net weight: Kg 86		HZ 50/60	F : Wall taps outlet for cold water: 1/2"
total weight with package: Kg 112		KW 0.78	S : Drainage outlet istalled in the floor: 1-1/2"
Volume with package: m3 = 1,299 Water capacity Lt 247		A 5	E : Power outlet for the wirpool IPX5