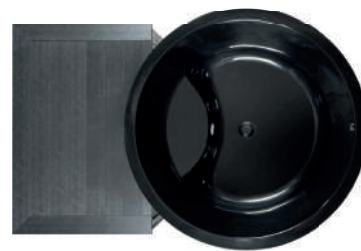


Descrizione / Description :

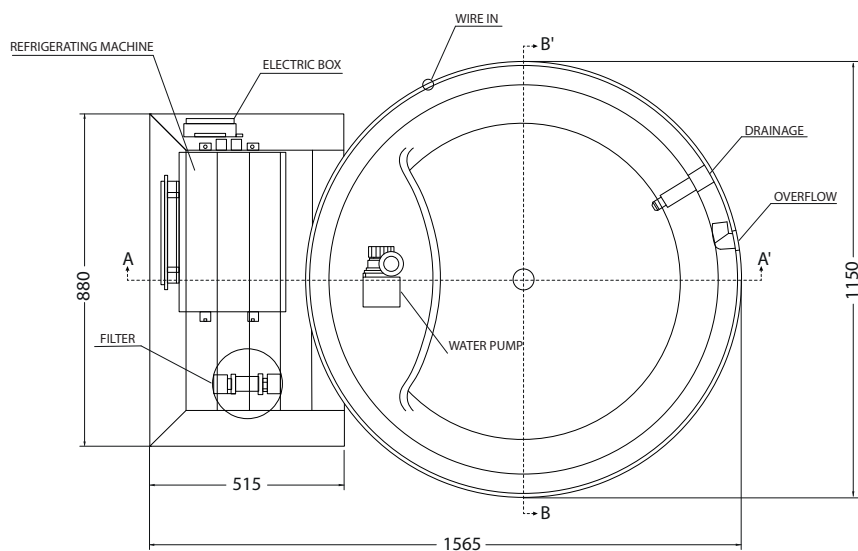
Vasca ghiaccio

Ice bath

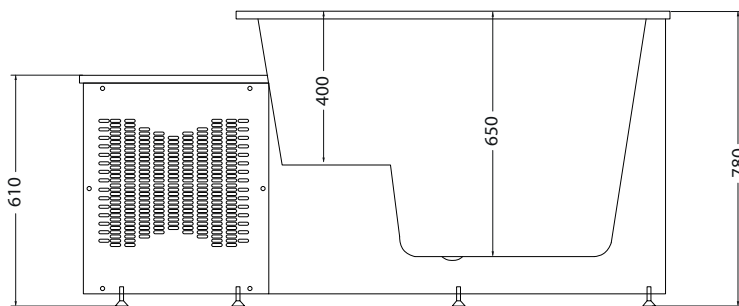
1510x1150Xh780 mm_Cod: **NORDA4002**



Disegno Tecnico / Technical Drawings :



PIANTA



SEZIONE A-A'

Caratteristiche / Characteristics :

Tipologia / Typology : Vasca ghiaccio

Dimensioni / Dimension : 1510x1150Xh780 mm

Peso / Weight : 143 Kg

Litri / Liters : 400 Lt

Plus :



Sedute:n.1
Seats:n.1



Isolamento termico
Isolation polyfoam



Copertura termica
Thermal cover



Raffreddatore
temperatura minima 4°C
Chiller minimum
temperature 4°C



Requisiti minimi:
750 W
Amperage configuration:
750W



Struttura in metallo
Metal structure

Finiture monocolore / Total color finishes :



Esterno: nero matt

Interno: nero lucido

External: matt black

Internal: glossy black

Accessori optional / Optional accessories:



Kit sali della salute
Kit health salts (2 lt)



Riduttore liquido del pH
pH liquid reducer



Sanificante in pastiglie
Disinfection pills (1.2 Kg)



Antialga azzurre e schiarente
Whitening anti-algae

Description

Ice pool

1510x1150Xh780 mm_Cod: **NORDA4002**



Dear user,

Thank you very much for purchasing our sanitary ware. To enable you to use this product safely and effectively, please read this installation and operation manual carefully before use.

Cautions

1. Please ensure that the product installed reliable electric leakage protection device, the power plug contains earth line, and make sure it is reliable earthing. Check the protect system of leakage protection each time before use.
2. Before turn on water pump, check if the water level over jets 10 to 20 mm or not, make sure regular usage of water pump otherwise it will be destroy because of water leakage.
3. Do not turn on water pump, heat pump or air bubble pump without water.
4. People with Hypertension symptom, after drink or heart disease are not allowed to use the bathtub. Children have a bath must under adult's guidance.
5. During use please noticed that don't blocked the jets and avoiding the air adjustment valve overflowing. Also keep the bathtub clean and don't let it blocked by hair or mess.
6. During use, please firstly adjust the water temperature or it will be burned.
7. The outdoor spa is designed with ergonomic, rise and fall changes are quite big so during use pay more attention of being slipped.
8. Please shut down the system when not to use.

Technical Parameter

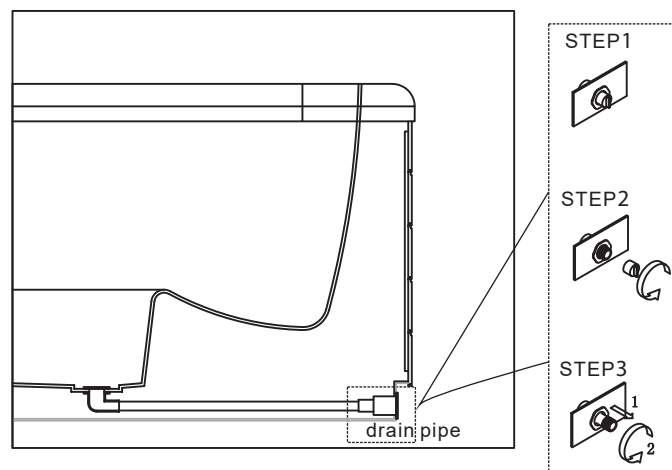
Voltage: 220V±10% 50Hz/60Hz

Power: 0.5HP

Hydraulic pressure : 0.1~0.2Mpa

Size: 1510*1150*780mm

Bottom light : 12V 100mA



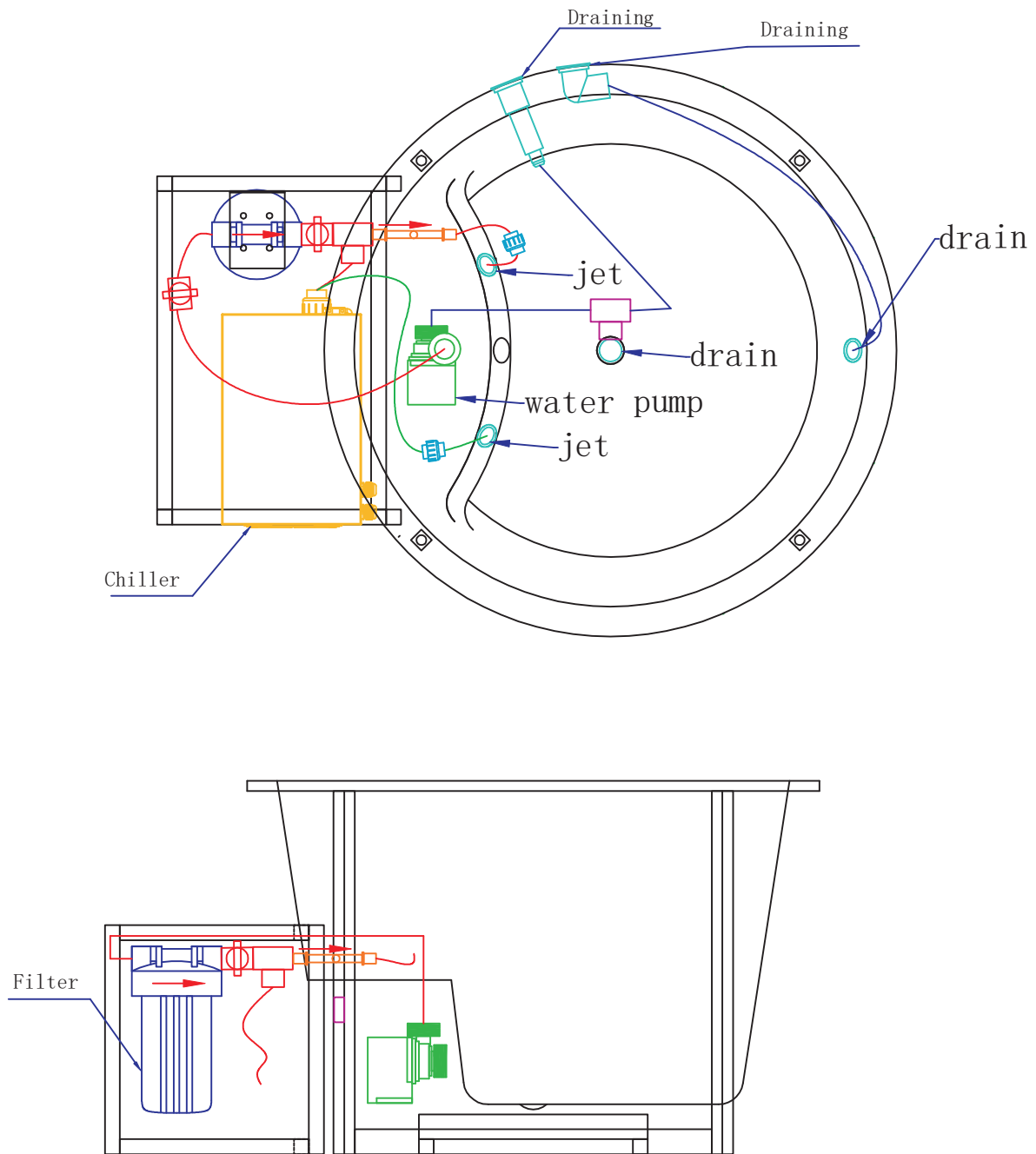
Cleaning and Maintenance

1. The daily maintenance should be cleaned with ordinary detergent and soft cloth. Please do not use the detergent which contains acetone or ammonia liquid. If there marks or something like glue on the surface of bathtub, just polish it with soft cloth dipping with gas.
2. If there are scratches on bathtub surface, please polish it with 1500# frosted paper dipping with liquid and burnish it with toothpaste. It will be shining again after that.
3. If there are furring on the surface of bathtub, it can be take away by mild acid detergent, for example wipe the bathtub with lemon juice or vinegar which be heated.
4. Do not wipe the chrome plated spare parts all the time, and do not get in touch with chemical detergent etc. Otherwise the surface of chrome plated will be destroyed. The product should be clean by soft cloth other than coarse cloth.
5. To check the water pipe regularly in order to avoid troubles from crack of water pipes or blocked inside.
6. If there are something such as hair stuck inside the jets, then just to twist out the jets and remove it.
7. To clean hydro-massage equipment: To full fill hot water which is 40°C, and pour 2g/L detergent, start hydro-massage function more than 5 minutes, then turn off the massage function and drain out the water. Next, to full fill cold water and start hydro-massage function for 3 minutes, then turn off the massage function and drain out the water, at last, to dry the bathtub with towel.
8. Filter should be clean once a week.
9. Keep out from combustibles and goods which over 80°C to avoid fire disaster and damage the product.
10. The bathtub should be transported carefully. Do not lay heavy things on it and do not bump and shaking the tub. If the bathtub has not been used for a long time, drain out the water of the bathtub and keep it in a dry and ventilate environment. Avoid corrosive gas.

Troubleshooting

Problems	Reasons	Maintenances
No power or electricity leaking protection device is activated	<ol style="list-style-type: none"> 1.Electricity leaking protection device cut off power source when electricity line is not well connected. 2.Power or electricity circuit have phenomenon of electricity leaking. 	<ol style="list-style-type: none"> 1.check and reconnect the wiring system. 2.check the power source, electricity circuit and ground line.
Water Jets are not working.	<ol style="list-style-type: none"> 1.check the system whether is on. 2.the impeller of water pump doesn't rotate 3.water pump is broken which caused by working without water coming in. 	<ol style="list-style-type: none"> 1. turn on the system 2. check through and remove the garbage which is inside the pump. Switch pipe can be removed. 3. install a new water pump
Water leaks from the pipes.	<ol style="list-style-type: none"> 1.seal ring is broken 2.screws doesn't lock tightly 3.pipes doesn't seal properly. 4.water pipe is broken 	<ol style="list-style-type: none"> 1.chang seal ring 2. lock the screws tightly 3. re-seal the silicone. 4. change water pipe
Control panel doesn't work	<ol style="list-style-type: none"> 1.Electricity line didn't connect to power source, electricity leaking protection device cut off power. 2.power button is not working. 	<ol style="list-style-type: none"> 1.Re-connect the power source and check the electricity leaking switch button. 2.change a new control panel <p>Lighting is off</p>
Jets shower can not be work	<ol style="list-style-type: none"> 1. voltage is abnormal 2 .Switch cannot be work 3.control panel cannot be work 4. water in electromagnetism valve is be blocked 	<ol style="list-style-type: none"> 1.please use it at the normal situation of voltage 2. check and change the switch 3.maintain and change the control panel 4.get rid of mess of the jets)
No lighting	<ol style="list-style-type: none"> 1.The bulb is broken 2. power line is disconnected. 3.control panel is broken 	<ol style="list-style-type: none"> 1.change a new bulb. 2.re-connect the circuit. 3 .maintain or change control panel

Construction Sketch



Installation instructions

1. Turn on the power and make sure it won't surpass the electric current.
2. Make sure to fix leakage protection device, and the socket must be connected with the earth line.
3. Please don't block the water recycle nozzle by any part of your body, if that occurs, turn off the pump or power at once.
4. A switch for the supply of the hot /cool water must be installed, when stop to use this product the water supply switch and the power sources switches should be turned off.
5. Check the water level if it is 10-20mm above the spray nozzle before you start the pump or the pump could be damaged.
6. Don't use corrosive detergent to clean the bathtub, you could use a common daily detergent or toothpaste to clean it.
7. Dispose of the product according to the local law when it is out of use.
8. Please contact the local dealer for help if you have any problem.

Instructions

1. Connect the inlet and outlet interfaces of the bathtub with the chiller
2. Fill the bathtub with enough water
3. Start the water pump first and wait for about 30 seconds (fill the water pipe with water for pump operation to avoid idling)
4. Start the chiller, set the temperature you need, cover the thermal insulation cover and wait for the temperature to reach your own requirements
5. Please turn off all power after bathing